

Industrial Hose Reels

| Washdown | Chemical Transfer | Potable Water | Food & Beverage Processing |
| Pharmaceuticals & Cosmetics | Fueling | Fire Protection | Assembly Operations |
| Air or Water Supply | Cable & Hose Storage | Hydraulic & Pneumatic Tools |



**You Can't Buy
A Better Reel.**

CONTENTS

Hannay hose reels come in all sizes and capacities.

Hannay Reels is the leading manufacturer of high quality hose and cable reels for most every conceivable application. This catalog describes and gives specifications on our most popular hose reels. If you don't see what you're looking for, give us a call and we will help you meet your needs.

Hannay Reels offers aluminum, carbon and stainless steel construction for most models.

Special coatings and finishes are also available.

| Reel Type | I.D. Hose Sizes | Page |
|--|----------------------|-------|
| Hannay Reels Policies – Our Guarantee, Service Policy, Paint Notice, Return Goods Policy | | 3 |
| Hannay Reels Spec Worksheet | | 4 |
| Hose Assemblies, Mounting Hole Sizes | | 5 |
| Spring Rewind Reels | | |
| Series AG | 1/4" – 1-1/2" | 6-7 |
| Series N400 | 1/4" or 3/8" | 8 |
| Series N500 (high pressure)* | 1/4" or 3/8" | 9 |
| Series N600 (dual hose) | 1/4" – 1/2" | 10 |
| Series 600 (dual hose) | 1/4" – 3/4" | 11 |
| Series N700* | 1/4" – 1/2" | 12 |
| Series 700* | 1/4" – 1/2" | 13 |
| Series N800* | 3/4" or 1" | 14 |
| Series 800* | 3/4" or 1" | 15 |
| Series 900* | 1-1/4" or 1-1/2" | 16 |
| Compact Manual Rewind Reels | | |
| Series 1000 | 1/4" or 3/8" or 1/2" | 17 |
| Manual or Power Rewind Reels | | |
| Series 1500 | 3/8" – 5/8" | 18 |
| Series 1800 | 5/8" or 3/4" | 19 |
| Series 2000 (dual hose) | 1/4" – 1/2" | 20 |
| Series G2000 (dual hose, manual only) | 1/4" – 1/2" | 21 |
| Series 3000 (manual only) | 3/4" or 1" | 22 |
| Series 3500 (manual only) | 1-1/4" or 1-1/2" | 23 |
| Series 4000 | 3/4" or 1" | 24 |
| Series G4100 | 3/4" or 1" | 25 |
| Series 6000 | 1/2" – 1" | 26-27 |
| Series 7000 (dual hose) | 3/4" or 1" | 28 |
| Series 7500* | 1-1/4" or 1-1/2" | 29 |
| Series 8000 | 1-1/2" or 2" | 30 |
| Series 9000 | 2-1/2" or 3" | 31 |
| Portable Hose Reels on Wheels | | |
| Series 1100, AT1200 | 3/8" – 1" | 32 |
| Portable Storage Reels on Wheels | | |
| Series C1150, ATC1250 | NA | 33 |
| Storage Reels: Manual or Power Rewind | | |
| Series C1500 | 1/4" – 1" O.D. | 34 |
| Series C3200 (manual only) | 1/2" – 1-1/2" O.D. | 35 |

* Reel is appropriate for fuel/lubrication applications



Hannay Reels: The industry choice.

Designed to spec and built of the highest quality materials, our reels stand up to the most demanding conditions of any industry. We offer thousands of hose and cable reels that help improve efficiency, productivity, and safety in your operation by keeping hoses and cables organized and off the floor.

The heavy-duty design and construction of our reels ensure that they outlast the competition and save you money. And bolted-on components and conveniently located swivel joints make servicing our reels quick and trouble-free.

Every reel we build is created for the industry in which it will be used, from processing to welding to maintenance and more – never retrofitted to the job. That means you can trust Hannay reels to be durable and dependable for years to come.

Uses:

- Blasting/slurry
- Hydraulic/pneumatic power tools
- Washdown and sanitation
- Chemical transfer
- Power wash/steam cleaning
- Potable water
- Pressurized air
- Gas welding
- Fuel and lubrication
- Electric cable for lights, tools, and machinery
- In-plant firefighting
- Vacuum and suction

Hannay Reels **Sales Policies**

Hannay Reels 3-Year Limited Warranty

Products manufactured by Hannay Reels, Inc. ("Hannay") are warranted for 3 years from date of shipment when properly installed, maintained, and operated in accordance with Hannay instructions. In no event will Hannay have a warranty obligation for normal wear and tear, or for products that have, at Hannay's determination, been subjected to accident, abuse, misapplication, improper installation or improper maintenance. Common examples of normal wear and tear would include paint finish, swivel joint seal wear, and switch or motor brush wear.

Hannay makes no warranties, express or implied, other than those included in this warranty statement, and we disclaim any implied warrant of merchantability or fitness for any particular purpose. Hannay will not be liable for any consequential, incidental, or indirect damages from any cause whatsoever.

Failure to use a flexible inlet connection on any live hose reel will void the swivel joint warranty. Failure to use a properly sized circuit breaker with any electric rewind motor will void the electric motor warranty. Failure to use a filter and lubricator on any air rewind motor will void the air motor warranty. Failure to follow all procedures outlined in the Safety Guidelines document will void the warranty.

Components not manufactured by Hannay will be subject to the original manufacturers' warranties. Examples of such components include: hose and cable, motors, speed controls, and switches, swivel joints and seals, slip ring and brush assemblies.

Equipment which proves to be defective upon our inspection will be replaced free of charge, including freight to the customer. Our responsibility ceases upon delivery to any common carrier and we do not, unless previously instructed, insure shipments beyond point of delivery to such carrier. **No material will be accepted for return without a return goods authorization (RGA).** This warranty extends to the replacement or repair of the reel or part (no labor).

Hannay reserves the right to modify or alter materials, dimensions, design, and construction when necessary to improve the performance of the reel and/or accessories, or to meet delivery requirements.

Notice on Reel Finish

Standard finish on Hannay reels is a high performance modified acrylic enamel paint. Standard color is metallic graphite. Other colors available at no additional cost include red, white, black, and primer.

Most of the major components on standard reels are e-coated prior to receiving final topcoat paint finish. This combination of e-coat and enamel topcoat will meet the finish requirements of most customer applications and environments.

In cases where requirements cannot be met with the standard finish, Hannay Reels can coat any model reel with an automotive primer, allowing application of final coating at your facility. Alternatively, Hannay Reels can provide a quote for matching a customer-provided paint specification. For further information, please contact your Hannay Reels sales engineer and a special paint request form will be sent to you.

For environments where no paint finish is suitable, we offer both aluminum and stainless steel (304 grade) construction on most reel models.

Return Goods Policy

All Hannay reels are built to order. These orders are typically placed into production within 1 business day of receipt. Once production begins, it may not be possible to cancel the order.

To prevent returns because the wrong reels or parts were ordered, please use the Hannay Reels Spec Worksheet (either online or from our Order Accessory Guide) when specifying reels. Be sure to include any size, weight, pressure and/or material compatibility limitations for the application.

In the event that an item does need to be returned for credit, repair or replacement, prior approval must be obtained from Hannay Reels. Upon your request, we will send a Return Goods

Authorization (RGA) form. A signed copy of this form must accompany the material when returned to us, with the RGA number clearly showing on the outside of the box—a label is provided to you that you can print and attach. No product will be accepted for return or credit without an authorized RGA number.

All material must be returned prepaid, unless otherwise noted on our RGA. No return will be accepted that has been damaged due to improper return packaging, tampered with or altered from its original condition. Our restocking and handling fee is a minimum of 25% for standard catalog reels and parts. Custom reels specially built to customer specifications cannot be returned for any reason.

Hannay Reels **Spec Worksheet**

To specify Hannay reels, fill out this simple form and mail, fax or email it to your dealer.
Photocopy this page or download and print from hannay.com

| 1. Who is the reel for? | | | | |
|-------------------------|--|----------|----------|---------|
| Contact | | | Date / / | |
| Company | | Position | | |
| Street Address | | | | |
| City | | State | Zip | Country |
| Phone () | | Fax () | Email | |

| 2. What is the reel for? | | | |
|--|--|--|--|
| <input type="checkbox"/> HOSE (check one): <input type="radio"/> Storage only <input type="radio"/> Live Single hose <input type="radio"/> Live Dual hose | | | |
| Inside diameter: | Hose length: | Bend radius: | Flat hose dimensions: |
| Outside diameter: | Hose weight: | Coupling spacing: | |
| Type of product handled live application: (check one): | | | |
| <input type="radio"/> Liquid (specify): | <input type="radio"/> Temperature: | <input type="radio"/> Oxygen/Acetylene: | <input type="radio"/> Other (specify): |
| <input type="radio"/> Gases (specify): | <input type="radio"/> Pressure: | <input type="radio"/> Hydraulic fluid (specify): | |
| Fluid path type: (check one): <input type="radio"/> Steel (standard) <input type="radio"/> Aluminum <input type="radio"/> Stainless Steel <input type="radio"/> Other | | | |
| Reel inlet type: (check one): <input type="radio"/> Swivel joint 90° (standard) <input type="radio"/> Straight | | | |
| Reel outlet type (riser): Size: | | | |
| Thread (check one): | <input type="radio"/> National Pipe Thread (NPT) | <input type="radio"/> Joint Industry Committee (JIC) | <input type="radio"/> Other |
| | <input type="radio"/> National Standard Thread (NST) | <input type="radio"/> British Standard Pipe (BSP) | |

Indicate your custom specifications

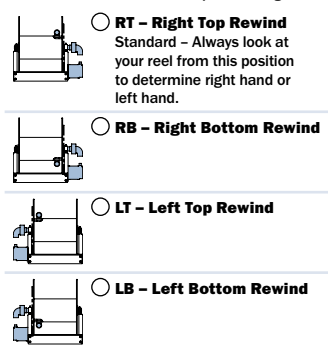
| CABLE (check one): <input type="radio"/> Live* <input type="radio"/> Storage only | | |
|---|-------------------|---------------|
| *Number of conductors, or wire gauge, required: | | |
| *Number of connectors: | Cable weight: | Cable length: |
| *Voltage: | Outside diameter: | |
| *Amperage (live application only): | Bend radius: | |

Indicate your custom specifications

| 3. What features does the reel need? Check type of rewind: | | | |
|--|---|---|--|
| <input type="checkbox"/> MANUAL REWIND | | | |
| <input type="radio"/> Disc rewind (hand over hand) | <input type="radio"/> Gear-driven crank | <input type="radio"/> Direct crank (permanent or removable) | <input type="radio"/> Chain-driven crank |
| <input type="checkbox"/> POWER REWIND | | | |
| <input type="radio"/> Spring | <input type="radio"/> Air | <input type="radio"/> Electric (voltage): | <input type="radio"/> Hydraulic |
| Type of installation (check one): <input type="radio"/> Floor <input type="radio"/> Wall <input type="radio"/> Overhead <input type="radio"/> Vehicle | | | |
| Temperature Range: | | Environment: | |
| Accessories (if any): | | Hose/Cable Stop: <input type="radio"/> Yes <input type="radio"/> No | |
| Roller Assemblies: | | | |
| Finish: <input type="radio"/> Painted steel (standard) <input type="radio"/> Aluminum <input type="checkbox"/> Polished <input type="checkbox"/> Unpolished <input type="radio"/> Stainless steel <input type="checkbox"/> Polished <input type="checkbox"/> Unpolished | | | |

4. Specifying Location of Components

Optional Location of Components:
Location of the inlet, outlet riser, and rewind mechanism can be varied to meet your requirements and must be specified on your order. Unless otherwise specified, most reels will be shipped as **Right Top Rewind** with the inlet, outlet riser, and rewind mechanism on the operator's right.



Note: Use component location initials as suffix after model number (ie: E1520-17-18 LT)

5. Please note size and/or weight limitations for your installation

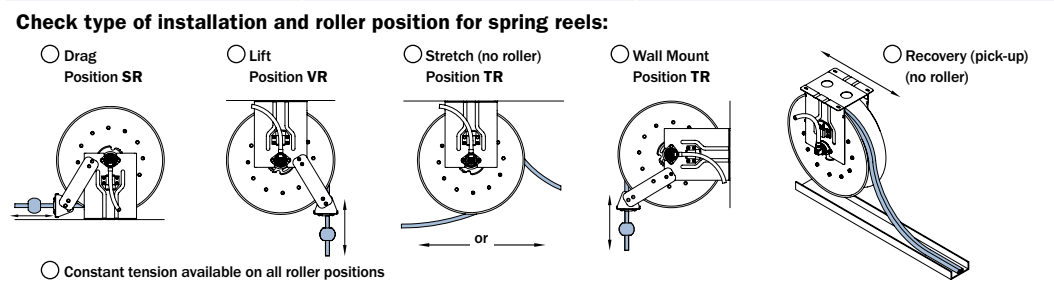
SPECIFICATIONS

Depth: _____

Height: _____

Width: _____

Weight: _____



For custom applications not found in our catalogs, call the Inside Sales Group at 518-797-3791.

Hose Assemblies

Complete Reel Packages are also available.

For further information, refer to the Reel Packages Sheet at Hannay.com.

Hose Assemblies

Allow us to quote the hose along with the reel to simplify your procurement process. Hannay inventories a wide variety of hose assemblies for common applications like general purpose air and water, petroleum products, hydraulics, oxygen/acetylene, breathing air, and rescue equipment. Special lengths, fittings, and custom application assemblies are usually available in 5 to 10 business days. Beside the I.D. and Length, be sure to know the Temperature Range, Fluid, Working Pressure, and Fitting Specifications for your hose.

Low Pressure Hose

We stock a variety of low pressure hose assemblies in several sizes and lengths. We offer hose with EPDM cover and tube and brass fittings, which are excellent for air, water, and many agricultural chemicals. EPDM is recommended for outside usage due to its resistance to heat, sunlight, and weathering.

For shop use, we offer a hose with high oil resistant tube and cover. It is suitable for use with petroleum based hydraulic fluid, lubricating oil, anti-freeze, diesel fuel, water, and air and may be special ordered in several different colors. Hoses for specialty applications are available upon request.

Medium and High Pressure Hose

Several different hydraulic and general purpose hose assemblies are offered to meet the specifications of your particular application. We stock an assortment of common sizes to be able meet your needs with a minimum delivery time.

Twin Hydraulic Hose

Hannay Reels offers bonded hydraulic hose that helps solve problems associated with unwinding and storing multiple lines. Various options are available not only for hydraulic fluid, but a wide variety of chemicals, agricultural sprays, urethane foam mixers, and fire resistant fluids.

Twin Oxygen/Acetylene Hose

We stock Grade R and Grade T twin hose assemblies in 1/4" and 3/8" in lengths of 50', 75', and 100' which will cover most requirements for oxygen/acetylene, as well as propane and MAPP. For oxygen/acetylene reels, see the Hannay Welding Reels Catalog H-0408-W.

Note: All spring rewind reels complete with hose are supplied with appropriate hose stop. (See Ordering & Accessory Guide.)

Mounting Hole Sizes

| | |
|---|---|
| N Series Reels | 7/16" wide x 7/8" long slot running front to back |
| Pressed Frame Reels and Channel Framed Reels | 7/16" wide x 7/8" long slot running left to right |
| Series 1000 | 7/16" wide x 1 7/16" long slot |
| Series 1500, 1800, 2000, 4000 | 13/32" round holes |

Series **AG** | With Air Speed Control Governor

To handle 1/4" through 1-1/2" I.D. hose.

Most Hannay spring reel models are available with an air governor rewind assist, which prevents the hose from winding back onto the reel too quickly. Speed is regulated by restricting air flow through an air governor attached to the rewind mechanism. The result is smooth, controlled rewind speed each and every time.

Unlike other speed control mechanisms designed for spring rewind reels, there are 3 major advantages to the Hannay design:

- 1. Highly scalable** – The air speed control governor can be scaled up to regulate speed on even the most powerful spring reels we offer. Other designs can only work on light-duty springs.
- 2. Operates in all climates** – Because the AG Series uses air flow to control speed (not hydraulic fluid, which can change viscosity depending on temperature), the reel's rewind speed is controlled and unaffected, even by cold weather.
- 3. Fully adjustable** – The end-user can turn the air restrictor clockwise or counterclockwise until the optimal rewind speed is found for the application.

For further information (other than dimensions) on any of the AG Series reels listed below, please go to the following pages in this catalog:

- AG600 Series: Go to page 11 (Series 600)
- AG700 Series: Go to page 13 (Series 700)
- AG800 Series: Go to page 15 (Series 800)
- AG900 Series: Go to page 16 (Series 900)



AG800 Series shown

| Model Number | Hose Capacity of Reel feet m | | | | | | | | Approx. Weight lb. kg | | Std. Roller Assy. | Reel Dimensions*** in. mm | | | | | | | | | | | | |
|-------------------|---------------------------------|--------------|---------------|--------------|-----------|----------|----------|-----------|--------------------------|-----------|-------------------|------------------------------|-------------|-------------|--------------|----------------|--------------|--------------|--------------|--------------|--------------|-----|-----|-----|
| | I.D. in. | 1/4 | 3/8 | 1/2 | 3/4 | 1 | 1-1/4 | 1-1/2 | NET | SHIP | | A | B | C | D | E | F | G | H | X | Y | | | |
| | mm | 6 | 10 | 13 | 19 | 25 | 32 | 38 | | | | 16 | 19 | 22 | 33 | 40 | 46 | 52 | 311 | 153 | 394 | 775 | 730 | 502 |
| AG615-23-24-10.5B | 2/65 2/20 | 2/60 2/18 | 2/30 2/9 | - | - | - | - | - | 117 53 | 152 69 | AG303 | 9.25 235 | 3 76 | 10.5 267 | 25.25 641 | 22.75 578 | 16 406 | 23.88 607 | 12.5 318 | 4.5 114 | 20 508 | | | |
| AG617-25-26-15.5B | 2/75 2/23 | 2/75 2/23 | 2/50 2/15 | - | - | - | - | - | 118 54 | 153 69 | AG305 | 11.25 286 | 5 127 | 15.5 394 | 27 686 | 24.75 629 | 18 457 | 25.88 657 | 13.5 343 | 6.5 165 | 21.75 552 | | | |
| AG617-25-26-15.5A | 2/100 2/30 | 2/85 2/26 | - | - | - | - | - | - | 145 66 | 180 82 | AG305 | 11.25 286 | 5 127 | 15.5 394 | 27 686 | 24.75 629 | 18.75 476 | 25.88 657 | 13.5 343 | 6.5 165 | 21.75 552 | | | |
| AG618-30-31-15.5A | - | - | 2/100 2/30 | 2/50 2/15 | - | - | - | - | 155 70 | 190 86 | AG306 | 12.25 311 | 6 153 | 15.5 394 | 30.5 775 | 28.75 730 | 19.75 502 | 31.38 797 | 17 432 | 7.5 190 | 25.25 641 | | | |
| AG716-19-20-10.5J | - | 50 15 | 50 15 | - | - | - | - | - | 101 46 | 136 62 | AG304 | 10.25 260 | 4 102 | 10.5 267 | 20.5 521 | 18.75 22.75 | 14.75 375 | 20 508 | 10.62 270 | 5.5 139 | 14.75 375 | | | |
| AG716-23-24-15.5J | - | 65 20 | 65 20 | - | - | - | - | - | 111 50 | 146 66 | AG304 | 10.25 260 | 4 102 | 15.5 394 | 25.25 641 | 24.75 629 | 14.75 375 | 23.88 607 | 12.5 318 | 5.5 139 | 20 508 | | | |
| AG716-25-26-15.5B | - | 75 23 | 75 23 | - | - | - | - | - | 115 52 | 150 68 | AG304 | 10.25 260 | 4 102 | 15.5 394 | 27 686 | 24.75 629 | 14.75 375 | 25.88 657 | 13.5 343 | 5.5 139 | 21.75 552 | | | |
| AG718-25-26-15.5G | - | 100 30 | 100 30 | - | - | - | - | - | 121 55 | 156 71 | AG306 | 12.25 311 | 6 152 | 15.5 394 | 27 686 | 24.75 629 | 16.75 425 | 25.88 657 | 13.5 343 | 7.5 190 | 21.75 552 | | | |
| AG718-30-31-20D | - | 150 46 | 125 38 | - | - | - | - | - | 152 69 | 187 85 | AG306 | 12.25 311 | 6 152 | 20 508 | 30.5 775 | 28.75 730 | 16.75 425 | 31.38 797 | 17 432 | 7.5 190 | 25.25 641 | | | |
| AG818-23-24-10.5J | - | - | - | 50 15 | 25 8 | - | - | - | 110 50 | 145 66 | AG306 | 12.25 311 | 6 152 | 10.5 267 | 25.25 641 | 22.75 578 | 16.75 425 | 23.88 607 | 12.5 318 | 7.5 190 | 20 508 | | | |
| AG816-25-26-10.5B | - | - | - | 60 18 | 35 11 | - | - | - | 121 55 | 156 71 | AG304 | 10.25 260 | 4 102 | 10.5 267 | 27 686 | 24.75 629 | 14.75 375 | 25.88 657 | 13.5 343 | 5.5 140 | 21.75 552 | | | |
| AG818-25-26-10.5B | - | - | - | 70 21 | 50 15 | - | - | - | 127 58 | 162 73 | AG306 | 12.25 311 | 6 152 | 10.5 267 | 27 686 | 24.75 629 | 16.75 425 | 25.88 657 | 13.5 343 | 7.5 190 | 21.75 552 | | | |
| AG820-25-26-10.5A | - | - | - | 85 26 | 75 23 | - | - | - | 156 71 | 191 87 | AG308 | 14.25 362 | 8 204 | 10.5 267 | 27 686 | 24.75 629 | 19.5 495 | 25.88 657 | 13.5 434 | 9.5 241 | 21.75 552 | | | |
| AG820-30-31-10.5A | - | - | - | - | 100 30 | - | - | - | 162 73 | 197 89 | AG308 | 14.25 362 | 8 204 | 10.5 267 | 30.5 775 | 28.75 730 | 19.5 495 | 31.38 797 | 17 432 | 9.5 241 | 25.25 641 | | | |
| AG820-30-31-15.5A | - | - | - | 100 30 | - | - | - | - | 170 77 | 205 93 | AG308 | 14.25 362 | 8 204 | 15.5 394 | 30.5 775 | 28.75 730 | 19.5 495 | 31.38 797 | 17 432 | 9.5 241 | 25.25 641 | | | |
| AG920-25-26A | - | - | - | - | - | 50 15 | 40 12 | 152 69 | 187 85 | AG308 | 14.25 362 | 8 204 | 10.5 267 | 27 686 | 24.75 629 | 24 610 | 25.88 657 | 13.5 343 | 9.5 241 | 21.75 552 | | | | |
| AG922-30-31A | - | - | - | - | - | 75 23 | 50 15 | 181 82 | 216 98 | AG310 | 16.25 413 | 10 254 | 10.5 267 | 30.5 775 | 28.75 730 | 26 660 | 31.38 797 | 17 432 | 11.5 292 | 25.25 641 | | | | |

Notes:

A hose stop is necessary to keep spring from unwinding.

- Specifications subject to change.
- Reel models and capacities shown are for standard drag applications; for vertical lift applications, consult factory.

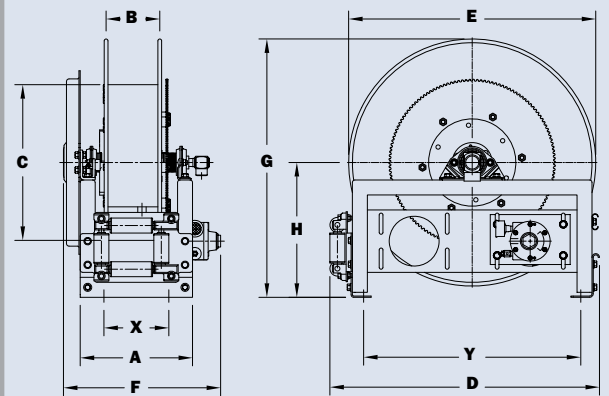
3. Other sizes, from standard components, available on request.

4. **Finish:** Refer to page 3.

5. **Be sure to check dimensions and weights prior to ordering.**

NOTICE: A flexible connector must be used between the inlet pipe and the inlet swivel joint.

*** X, Y indicate mounting holes. See page 5.



AG800 shown

Available Roller Positions



SR (STD)



VR (OPT)



TR (OPT)



TR (Wallmount)

Series N400

• Gas Welding

To handle twin 1/4" or 3/8" I.D. welding hose.

- Heavy-duty spring motor.
- Non-sparking ratchet assembly.
- Declutching arbor to prevent damage from reverse winding.
- Standard inlets: 90° ball bearing swivel joints, 1/2" female NPT threads.
- Standard outlets: male 9/16"-18 threads, right-hand for oxygen, left-hand for gas.
- Pressures to 300 psi (21 bar).
- Standard temperatures from -40° F to +400° F (-40° C to +204° C).
- Type of gas used must be specified.
- Hose stop is required.
- 4-way roller assembly. SR position is standard, other configurations available, must specify.



Standard configuration shown

PARTS DRAWING – ISO 186

| Model Number | Hose Capacity of Reel | | | Approx. Weight | | Standard Roller Assy. | Reel Dimensions*** | | | | | | | |
|------------------|-----------------------|----------|----------|----------------|------|-----------------------|--------------------|------|------|-------|-----|------|-------|-------|
| | feet m | | | lb. kg | | | in. mm | | | | | | | |
| | I.D. in. mm | 1/4 6 | 3/8 9 | NET | SHIP | | A | B | C | E | F | G | H | X |
| N416-17-18-8L | 2/50 | - | - | | | 64 | 69* | N204 | 10 | 4 | 8 | 19.5 | 15 | 17.38 |
| | 2/15 | - | - | 29 | 31 | 254 | 102 | | 203 | 495 | 381 | 441 | 232 | 203 |
| N416-19-20-8L | - | 2/50 | - | 68 | 74* | N204 | 10 | 4 | 8 | 20.75 | 15 | 20 | 10.62 | 8 |
| | - | 2/15 | - | 31 | 34 | | 254 | 102 | 203 | 527 | 381 | 508 | 270 | 203 |
| N416-19-20-10.5C | 2/25 | 2/25 | - | 70 | 77* | N204 | 10 | 4 | 10.5 | 20.75 | 15 | 20 | 10.62 | 8 |
| | 2/8 | 2/8 | - | 32 | 35 | | 254 | 102 | 267 | 527 | 381 | 508 | 270 | 203 |
| N416-19-20-8J | 2/50 | 2/50 | - | 74 | 80* | N204 | 10 | 4 | 8 | 20.75 | 15 | 20 | 10.62 | 8 |
| | 2/15 | 2/15 | - | 34 | 36 | | 254 | 102 | 203 | 527 | 381 | 508 | 270 | 203 |
| N417-23-24-10.5G | 2/75 | 2/75 | - | 94 | 111* | N205 | 11 | 5 | 10.5 | 24 | 16 | 24 | 12.62 | 9 |
| | 2/23 | 2/23 | - | 43 | 50 | | 279 | 127 | 267 | 610 | 406 | 610 | 320 | 229 |
| N417-25-26-10.5G | 2/100 | 2/100 | - | 97 | 132 | N205 | 11 | 5 | 10.5 | 25.5 | 16 | 26 | 13.62 | 9 |
| | 2/30 | 2/30 | - | 43 | 52 | | 279 | 127 | 267 | 648 | 406 | 660 | 346 | 229 |

Notes:

A hose stop is necessary to keep spring from unwinding.

1. Specifications subject to change.
2. Reel models and capacities shown are for standard drag applications; for vertical lift applications, consult factory.
3. Other sizes, from standard components, available on request.
4. **Finish:** Refer to page 3.

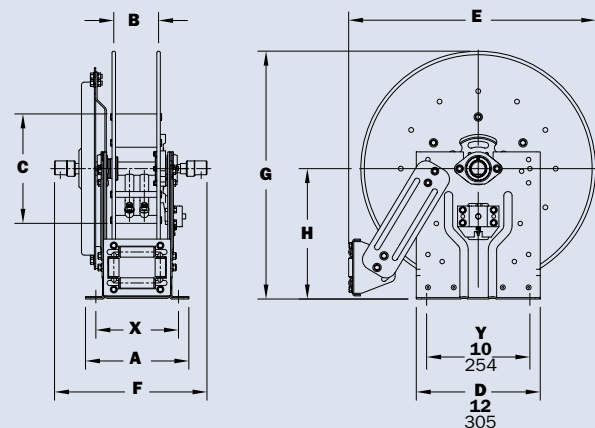
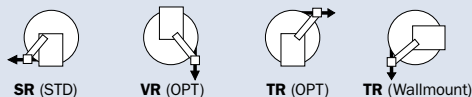
5. **Be sure to check dimensions and weights prior to ordering.**

NOTICE: A flexible connector must be used between the inlet pipe and the inlet swivel joint.

* When shipped as a parcel package (via FedEx or UPS Ground), joints loose. Net weight plus carton weight.

*** X, Y indicate mounting holes. See page 5.

Available Roller Positions



High Pressure | Series N500

• Chassis Grease • Hydraulics • Air/Water

To handle single 1/4" or 3/8" I.D. hose.

- Compact frame and narrow base.
- Non-sparking ratchet assembly.
- Declutching arbor to prevent damage from reverse winding.
- Standard inlet: 90° swivel joint, 1/4" female NPT threads. 3/8" female NPT threads are optional and **must be specified**.
- Standard outlet: 1/4" female NPT threads. 3/8" female NPT threads are optional and **must be specified**.
- Other threads can be furnished and **must be specified**.
- Standard 1/4" pressure 10,000 psi (690 bar); Standard 3/8" pressure: 3000 psi (207 bar). Optional 3/8" pressure: 8000 psi (552 bar) – must specify.
- Temperatures from -40° F to +400° F (-40° C to +204° C).
- 4-way roller assembly. SR and VR roller positions: swivel joint is standard on the right. TR roller positions: swivel joint is standard on the left. Other configurations available, must specify.
- Constant tension is available – consult factory.



Standard configuration shown with optional full-flow swivel joint



Optional Swivel Mounting Bracket

Part No. 9908.9990.

For N-Series spring retractable reels, available as a kit. Conditions apply, consult factory.

PARTS DRAWING – ISO 92

| Model Number | Hose Capacity of Reel feet m | | | Approx. Weight lb. kg | | | Standard Roller Assy. | Reel Dimensions*** in. mm | | | | | | | |
|-------------------------|---------------------------------|-----------|-----------|--------------------------|------------------------------|------------------------|-----------------------|------------------------------|-------------|--------------|---------------|--------------|--------------|----------|---|
| | I.D. in. mm | 1/4 6 | 3/8 10 | NET | UPS/ FedEx SHIP Wt. | Freight SHIP Wt. | | A | B | C | E | F | G | H | X |
| | O.D. in. mm | 5/8 16 | 3/4 19 | | | | | 9 | 3 | 8 | 18.12 | 10.375 | 16.12 | 9.12 | 7 |
| N515-14-16-8L | 25 8 | 25 8 | 48 22 | 64* 29 | 83 38 | N203 | 9 229 | 3 76 | 8 203 | 18.12 460 | 10.375 264 | 16.12 409 | 9.12 232 | 7 178 | |
| N515-16-17-10.5C | 35 11 | 35 11 | 51 23 | 67* 30 | 86 39 | N203 | 9 229 | 3 76 | 10.5 267 | 19 483 | 10.375 264 | 17 432 | 9.12 232 | 7 178 | |
| N515-19-20-10.5J | 50 15 | 50 15 | 63 29 | 81* 37 | 98 44 | N203 | 9 229 | 3 76 | 10.5 267 | 20.75 527 | 10.375 264 | 20 508 | 10.62 270 | 7 178 | |
| N515-23-24-15.5J | 75 23 | 65 20 | 75 34 | 92* 42 | 110 50 | N203 | 9 229 | 3 76 | 15.5 394 | 24 610 | 10.375 264 | 24 610 | 12.62 321 | 7 178 | |
| N516-25-26-15.5B | 75 23 | 75 23 | 90 34 | -- -- | 125 57 | N204 | 10 254 | 4 102 | 15.5 394 | 25.5 648 | 11.375 289 | 26 660 | 13.62 346 | 8 203 | |

Notes:

A hose stop is necessary to keep spring from unwinding.

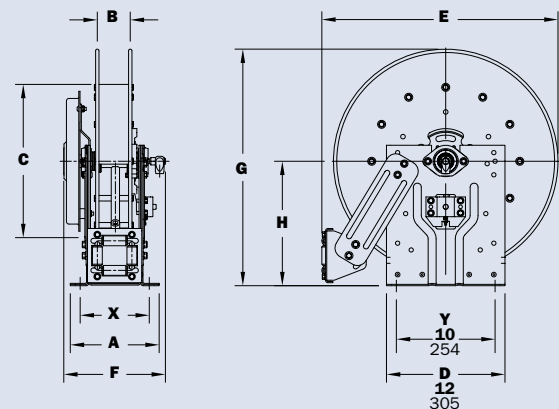
1. Specifications subject to change.
2. Reel models and capacities shown are for standard drag applications; for vertical lift applications, consult factory.
3. Other sizes, from standard components, available on request.
4. **Finish:** Refer to page 3.

5. Be sure to check dimensions and weights prior to ordering.

NOTICE: A flexible connector must be used between the inlet pipe and the inlet swivel joint.

* Dimensional weight may apply when shipped as a parcel package (via FedEx or UPS Ground).

*** X, Y indicate mounting holes. See page 5.



Available Roller Positions



SR (STD)



VR (OPT)



TR (OPT)



TR (Wallmount)

Series N600 | Dual Hose

• Hydraulics • Spray Painting • Air/Water

To handle dual 1/4" through 1/2" I.D. hose.

- Narrow frame and compact mounting base.
- Non-sparking ratchet assembly.
- Declutching arbor to prevent damage from reverse winding.
- Standard inlets: 90° full-flow swivel joints with Viton® seals, 1/2" female NPT threads.
- Optional balanced pressure (BP) swivel joints are available upon request. Subtract 1-3/4" from "F" dimension.
- Standard outlets: 1/2" female NPT threads.
- Standard pressures to 3000 psi (207 bar), available up to 10,000 psi (690 bar) – must specify.
- Temperatures from -40° F to +400° F (-40° C to +204° C).
- 4-way roller assembly. SR position is standard, other configurations available, must specify.
- Constant tension is available – consult factory.
- Reels for use with oxygen/acetylene. See Series N400 on page 8.



Standard configuration shown

PARTS DRAWING – ISO 80

| Model Number | Hose Capacity of Reel feet m | | | | Approx. Weight lb. kg | | | Standard Roller Assy. | Reel Dimensions*** in. mm | | | | | | | | |
|------------------|---------------------------------|-----------|-----------|-----------|--------------------------|------------------------------|------------------------|-----------------------|------------------------------|------|-------|-------|----------------|---------|-------|-----|---|
| | I.D. in. mm | 1/4 6 | 3/8 10 | 1/2 13 | NET | UPS/ FedEx SHIP Wt. | Freight SHIP Wt. | | A | B | C | E | F Full-Flow | F BP | G | H | X |
| | O.D. in. mm | 5/8 16 | 3/4 19 | 7/8 22 | | | | | | | | | | | | | |
| N615-19-20-10.5C | 2/35 | 2/35 | 2/20 | 63 | 74* | 98 | N203 | 9 | 3 | 10.5 | 20.75 | 14 | 12.25 | 20 | 10.62 | 7 | |
| | 2/11 | 2/11 | 2/6 | 29 | 34 | 44 | | 229 | 76 | 267 | 527 | 356 | 311 | 508 | 270 | 178 | |
| N617-19-20-10.5J | 2/50 | 2/50 | 2/25 | 66 | 84* | 101 | N205 | 11 | 5 | 10.5 | 20.75 | 16 | 14.25 | 20 | 10.62 | 9 | |
| | 2/15 | 2/15 | 2/8 | 30 | 38 | 46 | | 279 | 127 | 267 | 527 | 406 | 362 | 508 | 270 | 229 | |
| N615-23-24-10.5B | 2/65 | 2/60 | 2/30 | 87 | 104* | 122 | N203 | 9 | 3 | 10.5 | 24 | 14 | 12.25 | 24 | 12.62 | 7 | |
| | 2/20 | 2/18 | 2/9 | 40 | 47 | 55 | | 229 | 76 | 267 | 610 | 356 | 311 | 610 | 321 | 178 | |
| N617-25-26-15.5B | 2/75 | 2/75 | 2/50 | 93 | - | 128 | N205 | 11 | 5 | 15.5 | 25.5 | 16 | 14.25 | 26 | 13.62 | 9 | |
| | 2/23 | 2/23 | 2/15 | 42 | - | 58 | | 279 | 127 | 394 | 648 | 406 | 362 | 660 | 346 | 229 | |
| N617-25-26-15.5A | 2/100 | 2/85 | - | 120 | - | 155 | N205 | 11 | 5 | 15.5 | 25.5 | 16.75 | 15 | 26 | 13.62 | 9 | |
| | 2/31 | 2/26 | - | 54 | - | 70 | | 279 | 127 | 394 | 648 | 425 | 381 | 660 | 346 | 229 | |

Notes:

A hose stop is necessary to keep spring from unwinding.

1. Specifications subject to change.
2. Reel models and capacities shown are for standard drag applications; for vertical lift applications, consult factory.
3. Other sizes, from standard components, available on request.
4. Finish: Refer to page 3.

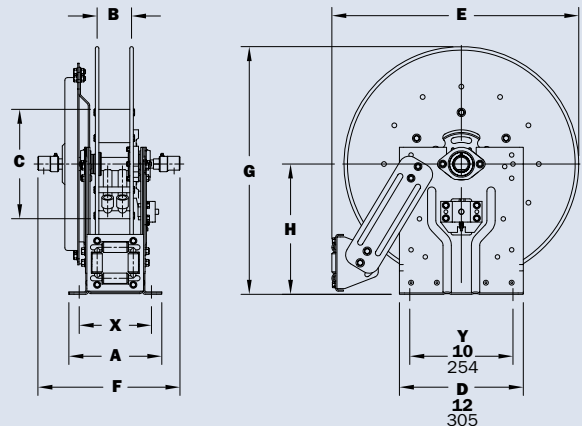
5. Be sure to check dimensions and weights prior to ordering.

NOTICE: A flexible connector must be used between the inlet pipe and the inlet swivel joint.

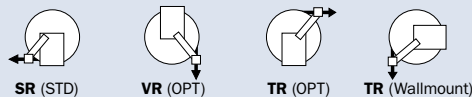
*Dimensional weight may apply when shipped as a parcel package (via FedEx or UPS Ground).

*** X, Y indicate mounting holes. See page 5.

For hydraulic tool circuit applications, full flow swivels with Viton® seals are recommended.



Available Roller Positions



Dual Hose | Series 600

• Hydraulics • Spray Painting • Air/Water

To handle dual 1/4" through 3/4" I.D. hose.

- Rollformed channel frame for heavy-duty applications.
- Non-sparking ratchet assembly.
- Declutching arbor to prevent damage from reverse winding.
- Standard inlets: 90° full-flow swivel joints with Viton® seals, 1/2" female NPT threads (1" inlet available). Must be specified.
- Optional balanced pressure (BP) swivel joints are available upon request. Subtract 1-3/4" from "F" dimension.
- Standard outlets: 1/2" female NPT threads (3/4" outlet available). Must be specified.
- Standard pressures to 3000 psi (207 bar), available up to 10,000 psi (690 bar) – must specify.
- Temperatures from -40° F to +400° F (-40° C to +204° C).
- 4-way roller assembly. SR position is standard, other configurations available, must specify.
- Constant tension is available – consult factory.
- Reels for use with oxygen/acetylene. See Series N400 on page 8.



Standard configuration shown

PARTS DRAWING – ISO 8

| Model Number | Hose Capacity of Reel feet m | | | | | Approx. Weight lb. kg | | Standard Roller Assy. | Reel Dimensions*** in. mm | | | | | | | | | | |
|-------------------------|---------------------------------|--------------|-------------|--------------|--------------|--------------------------|------------|-----------------------|------------------------------|----------|-------------|--------------|--------------|----------------|--------------|--------------|-------------|------------|--------------|
| | I.D. in. mm | 1/4 6 | 3/8 10 | 1/2 13 | 3/4 19 | NET | SHIP | | A | B | C | D | E | F Full-Flow | F BP | G | H | X | Y |
| | O.D. in. mm | 5/8 16 | 3/4 19 | 7/8 22 | 1-9/32 33 | | | | 8.25 210 | 3 76 | 10.5 267 | 24.62 625 | 22.75 578 | 15 381 | 13.38 340 | 23.88 607 | 12.5 318 | 3.5 89 | 20 508 |
| 615-23-24-10.5B | | 2/65 | 2/60 | 2/30 | - | 70 | 105 | R203 | 8.25 | 3 | 10.5 | 24.62 | 22.75 | 15 | 13.38 | 23.88 | 12.5 | 3.5 | 20 |
| | | 2/20 | 2/18 | 2/9 | - | 32 | 48 | | 210 | 76 | 267 | 625 | 578 | 381 | 340 | 607 | 318 | 89 | 508 |
| 617-25-26-15.5B | | 2/75 | 2/75 | 2/50 | - | 93 | 128 | R205 | 10.25 | 5 | 15.5 | 26.38 | 24.75 | 17 | 15.38 | 25.88 | 13.5 | 5.5 | 21.75 |
| | | 2/23 | 2/23 | 2/15 | - | 42 | 58 | | 260 | 127 | 394 | 670 | 629 | 432 | 391 | 657 | 343 | 140 | 552 |
| 617-25-26-15.5A | | 2/100 | 2/85 | - | - | 120 | 155 | R205 | 10.25 | 5 | 15.5 | 26.38 | 24.75 | 17.75 | 16.06 | 25.88 | 13.5 | 5.5 | 21.75 |
| | | 2/31 | 2/26 | - | - | 54 | 70 | | 260 | 127 | 394 | 670 | 629 | 451 | 408 | 657 | 343 | 140 | 552 |
| †618-30-31-15.5A | | - | - | 2/100 | 2/50 | 130 | 165 | R206 | 11.25 | 6 | 15.5 | 29.88 | 28.75 | 18.75 | 17.06 | 31.38 | 17 | 6.5 | 25.25 |
| | | - | - | 2/31 | 2/15 | 59 | 75 | | 286 | 152 | 394 | 759 | 730 | 476 | 433 | 797 | 432 | 165 | 641 |

Notes:

A hose stop is necessary to keep spring from unwinding.

1. Specifications subject to change.
2. Reel models and capacities shown are for standard drag applications; for vertical lift applications, consult factory.
3. Other sizes, from standard components, available on request.
4. Finish: Refer to page 3.

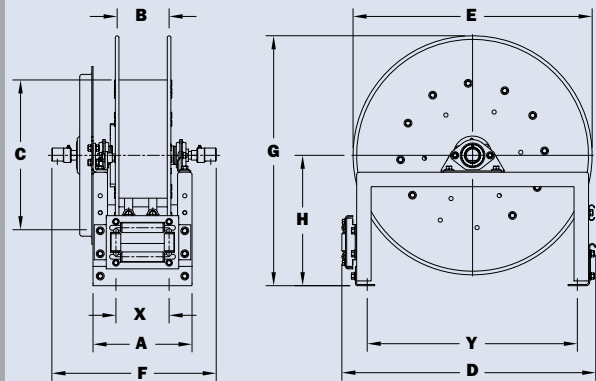
5. Be sure to check dimensions and weights prior to ordering.

NOTICE: A flexible connector must be used between the inlet pipe and the inlet swivel joint.

***X, Y indicate mounting holes. See page 5.

† Must specify if 1" joints and 3/4" outlet risers are required.

For hydraulic tool circuit applications, full flow swivels with Viton® seals are recommended.



Available Roller Positions



SR (STD)



VR (OPT)



TR (OPT)



TR (Wallmount)

Series N700

- Lubrication • Air/Water • Assembly Operations
- Washdown • Air Tools • General Industrial Applications

To handle 1/4" through 1/2" I.D. hose.

- Narrow frame and compact mounting base.
- Non-sparking ratchet assembly.
- Declutching arbor to prevent damage from reverse winding.
- Standard inlet: 90° balanced pressure swivel joint, 1/2" female NPT threads.
- Standard outlet: 1/2" female NPT threads.
- Standard pressures to 3000 psi (207 bar), available up to 10,000 psi (690 bar) – must specify.
- Temperatures from -40° F to +400° F (-40° C to +204° C).
- 4-way roller assembly. SR and VR roller positions: swivel joint is standard on the right. TR roller positions: swivel joint is standard on the left. Other configurations available, must specify.
- Constant tension is available – consult factory.



Standard configuration shown



Optional Swivel Mounting Bracket

Part No. 9908.9990. For N-Series spring retractable reels, available as a kit. Conditions apply, consult factory.

PARTS DRAWING – ISO 79

| Model Number | Hose Capacity of Reel feet m | | | | Approx. Weight lb. kg | | | Standard Roller Assy. | Reel Dimensions*** in. mm | | | | | | | |
|------------------|---------------------------------|-----|-----|-----|--------------------------|------------------------------|------------------------|-----------------------|------------------------------|------|-------|--------|-------|-------|-----|---|
| | I.D. in. | 1/4 | 3/8 | 1/2 | NET | UPS/ FedEx SHIP Wt. | Freight SHIP Wt. | | A | B | C | E | F | G | H | X |
| | mm | 6 | 10 | 13 | | | | | | | | | | | | |
| N716-14-16-8C | - | 25 | 25 | 52 | 64* | 87 | N204 | 10 | 4 | 8 | 18.12 | 11.625 | 16.12 | 9.12 | 8 | |
| | - | 8 | 8 | 24 | 29 | 39 | | 254 | 102 | 203 | 460 | 295 | 409 | 232 | 203 | |
| N716-16-17-10.5C | - | 35 | 35 | 55 | 69* | 90 | N204 | 10 | 4 | 10.5 | 19 | 11.625 | 17 | 9.12 | 8 | |
| | - | 11 | 11 | 25 | 31 | 41 | | 254 | 102 | 267 | 483 | 295 | 432 | 232 | 203 | |
| †N716-17-18-8L | - | 50† | 50† | 55 | 68* | 90 | N204 | 10 | 4 | 8 | 19.5 | 11.625 | 17.38 | 9.12 | 8 | |
| | - | 15† | 15† | 25 | 31 | 41 | | 254 | 102 | 203 | 495 | 295 | 441 | 232 | 203 | |
| N716-19-20-10.5J | - | 50 | 50 | 64 | 82* | 99 | N204 | 10 | 4 | 10.5 | 20.75 | 11.625 | 20 | 10.62 | 8 | |
| | - | 15 | 15 | 29 | 37 | 45 | | 254 | 102 | 267 | 527 | 295 | 508 | 270 | 203 | |
| N716-23-24-15.5J | - | 65 | 65 | 79 | 94* | 114 | N204 | 10 | 4 | 15.5 | 24 | 11.625 | 24 | 12.62 | 8 | |
| | - | 20 | 20 | 36 | 43 | 52 | | 254 | 102 | 394 | 610 | 22.75 | 610 | 321 | 203 | |
| N716-23-24-15.5G | 100 | 75 | 65 | 94 | 101* | 129 | N204 | 10 | 4 | 15.5 | 24 | 11.625 | 24 | 12.62 | 8 | |
| | 30 | 23 | 20 | 43 | 46 | 59 | | 254 | 102 | 394 | 610 | 295 | 610 | 321 | 203 | |
| N716-25-26-15.5B | - | 75 | 75 | 90 | - | 125 | N204 | 10 | 4 | 15.5 | 25.5 | 11.625 | 26 | 13.62 | 8 | |
| | - | 23 | 23 | 41 | - | 57 | | 254 | 102 | 394 | 648 | 295 | 660 | 346 | 203 | |
| N718-25-26-15.5G | - | 100 | 100 | 96 | - | 131 | N206 | 12 | 6 | 15.5 | 25.5 | 13.625 | 26 | 13.62 | 10 | |
| | - | 30 | 30 | 44 | - | 59 | | 305 | 152 | 394 | 648 | 346 | 660 | 346 | 254 | |

Notes:

A hose stop is necessary to keep spring from unwinding.

1. Specifications subject to change.
2. Reel models and capacities shown are for standard drag applications; for vertical lift applications, consult factory.
3. Other sizes, from standard components, available on request.
4. **Finish:** Refer to page 3.

5. Be sure to check dimensions and weights prior to ordering.

NOTICE: A flexible connector must be used between the inlet pipe and the inlet swivel joint.

*Dimensional weight may apply when shipped as a parcel package (via FedEx or UPS Ground).

***X, Y indicate mounting holes. See page 5.

†Capacity based on low pressure air hose only.

Not for vertical lift applications.

Available Roller Positions



SR (STD)



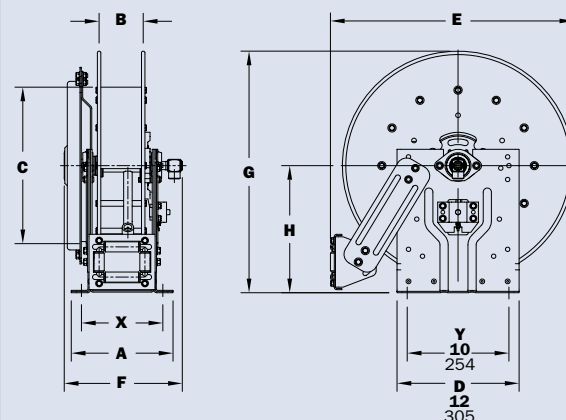
VR (OPT)



TR (OPT)



TR (Wallmount)



Series 700

- Lubrication • Air/Water • Assembly Operations
- Washdown • Air Tools • General Industrial Applications

To handle 1/4" through 1/2" I.D. hose.

- Rollformed channel frame for heavy-duty applications.
- Non-sparking ratchet assembly.
- Declutching arbor to prevent damage from reverse winding.
- Standard inlet: 90° balanced pressure swivel joint, 1/2" female NPT threads.
- Standard outlet: 1/2" female NPT threads.
- Standard pressures to 3000 psi (207 bar), available up to 10,000 psi (690 bar) – must specify.
- Temperatures from -40° F to +400° F (-40° C to +204° C).
- 4-way roller assembly. SR and VR roller positions: swivel joint is standard on the right. TR roller positions: swivel joint is standard on the left. Other configurations available, must specify.
- Constant tension is available – consult factory.



Standard configuration shown

PARTS DRAWING – ISO 66

| Model Number | Hose Capacity of Reel feet m | | | | Approx. Weight lb. kg | | | Standard Roller Assy. | Reel Dimensions*** in. mm | | | | | | | | | |
|------------------------|---------------------------------|------------|------------|------------|--------------------------|------------------------------|------------------------|-----------------------|------------------------------|-------------|--------------|--------------|--------------|--------------|-------------|------------|--------------|----|
| | I.D. in. mm | 1/4 6 | 3/8 10 | 1/2 13 | NET | UPS/ FedEx SHIP Wt. | Freight SHIP Wt. | | A | B | C | D | E | F | G | H | X | Y |
| | O.D. in. mm | 5/8 16 | 3/4 19 | 7/8 22 | | | | | 9.25 | 4 | 15.5 | 24.5 | 22.75 | 12.62 | 23.88 | 12.5 | 4.5 | 20 |
| 716-23-24-15.5J | – | 65 | 65 | 79 | 92* | 114 | R204 | 9.25 | 4 | 15.5 | 24.5 | 22.75 | 12.62 | 23.88 | 12.5 | 4.5 | 20 | |
| | – | 20 | 20 | 36 | 42 | 52 | | 235 | 102 | 394 | 622 | 578 | 321 | 607 | 318 | 114 | 508 | |
| 716-23-24-15.5G | 100 | 75 | 65 | 94 | – | 129 | R204 | 9.25 | 4 | 15.5 | 24.5 | 22.75 | 12.62 | 23.88 | 12.5 | 4.5 | 20 | |
| | 30 | 23 | 20 | 43 | – | 59 | | 235 | 102 | 394 | 622 | 578 | 321 | 607 | 318 | 114 | 508 | |
| 716-25-26-15.5B | – | 75 | 75 | 90 | – | 125 | R204 | 9.25 | 4 | 15.5 | 26.25 | 24.75 | 12.62 | 25.88 | 13.5 | 4.5 | 21.75 | |
| | – | 23 | 23 | 41 | – | 57 | | 235 | 102 | 394 | 667 | 629 | 321 | 657 | 343 | 114 | 552 | |
| 718-25-26-15.5G | – | 100 | 100 | 96 | – | 131 | R206 | 11.25 | 6 | 15.5 | 26.25 | 24.75 | 14.62 | 25.88 | 13.5 | 6.5 | 21.75 | |
| | – | 30 | 30 | 44 | – | 59 | | 286 | 152 | 394 | 667 | 629 | 371 | 657 | 343 | 165 | 552 | |
| 718-30-31-20D | – | 150 | 125 | 127 | – | 162 | R206 | 11.25 | 6 | 20 | 30.5 | 28.75 | 15.38 | 31.38 | 17 | 6.5 | 25.25 | |
| | – | 46 | 38 | 58 | – | 73 | | 286 | 152 | 508 | 775 | 730 | 391 | 797 | 432 | 165 | 641 | |

Notes:

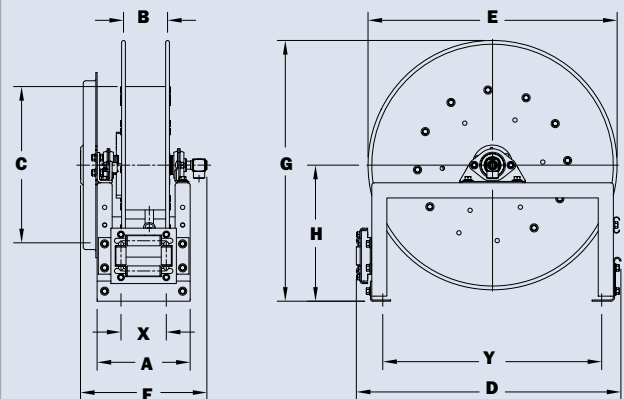
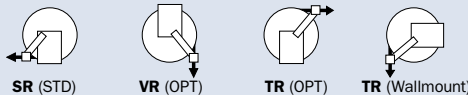
A hose stop is necessary to keep spring from unwinding.

1. Specifications subject to change.
2. Reel models and capacities shown are for standard drag applications; for vertical lift applications, consult factory.
3. Other sizes, from standard components, available on request.
4. **Finish:** Refer to page 3.

5. Be sure to check dimensions and weights prior to ordering.

- NOTICE:** A flexible connector must be used between the inlet pipe and the inlet swivel joint.
 *Dimensional weight may apply when shipped as a parcel package (via FedEx or UPS Ground).
 *** X, Y indicate mounting holes. See page 5.

Available Roller Positions



Series N800

- Fuel Dispensing (Consult Factory)
- Waste Oil Evacuation • Air/Water

To handle 3/4" or 1" I.D. hose.

- Narrow frame and compact mounting base.
- Non-sparking ratchet assembly.
- Declutching arbor to prevent damage from reverse winding.
- Standard inlet: 90° balanced pressure swivel joint, 1" female NPT threads.
- Standard outlet: 1" female NPT threads.
- Standard pressures to 2000 psi (138 bar), available up to 6000 psi (414 bar) – must specify.
- Temperatures from -40° F to +400° F (-40° C to +204° C).
- 4-way roller assembly. SR and VR roller positions: swivel joint is standard on the right. TR roller positions: swivel joint is standard on the left. Other configurations available, must specify.
- Constant tension is available – consult factory.



Optional TR roller position shown

PARTS DRAWING – ISO 81

| Model Number | Hose Capacity of Reel feet m | | | Approx. Weight lb. kg | | | Standard Roller Assy. | Reel Dimensions*** in. mm | | | | | | | |
|-------------------|---------------------------------|--------------|-------------|--------------------------|------------------------------|------------------------|-----------------------|------------------------------|----------|-------------|--------------|-----------|-----------|--------------|-----------|
| | I.D. in. mm | 3/4 19 | 1 25 | NET | UPS/ FedEx SHIP Wt. | Freight SHIP Wt. | | A | B | C | E | F | G | H | X |
| | O.D. in. mm | 1-9/32 33 | 1-1/2 38 | | | | | 10 | 4 | 10.5 | 20.75 | 13 | 20 | 10.62 | 8 |
| N816-19-20-10.5J | | 25 8 | 15 5 | 75 34 | 83* 38 | 110 50 | N204 | 10 254 | 4 102 | 10.5 267 | 20.75 527 | 13 330 | 20 508 | 10.62 270 | 8 203 |
| †N818-23-24-10.5J | | 50† 15† | 25† 8† | 87 39 | – | 122 55 | N206 | 12 305 | 6 152 | 10.5 267 | 24 610 | 15 381 | 24 610 | 12.62 321 | 10 254 |
| N816-25-26-10.5B | | 60 18 | 35 11 | 96 44 | – | 131 59 | N204 | 10 254 | 4 102 | 10.5 267 | 25.5 648 | 13 330 | 26 660 | 13.62 346 | 8 203 |
| N818-25-26-10.5B | | 70 21 | 50 15 | 102 46 | – | 137 62 | N206 | 12 305 | 6 152 | 10.5 267 | 25.5 648 | 15 381 | 26 660 | 13.62 346 | 10 254 |

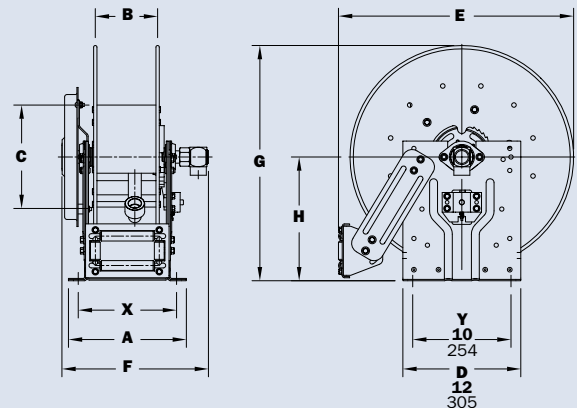
Notes:

A hose stop is necessary to keep spring from unwinding.

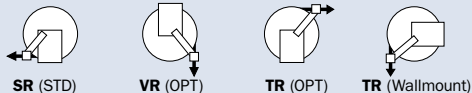
1. Specifications subject to change.
2. Reel models and capacities shown are for standard drag applications; for vertical lift applications, consult factory.
3. Other sizes, from standard components, available on request.
4. **Finish:** Refer to page 3.

5. Be sure to check dimensions and weights prior to ordering.

- NOTICE:** A flexible connector must be used between the inlet pipe and the inlet swivel joint.
*Dimensional weight may apply when shipped as a parcel package (via FedEx or UPS Ground).
*** X, Y indicate mounting holes. See page 5.
†Capacity based on low pressure air hose only.



Available Roller Positions



Series 800

- Fuel Dispensing (Consult Factory)
- Waste Oil Evacuation • Air/Water

To handle 3/4" or 1" I.D. hose.

- Rollformed channel frame for heavy-duty applications.
- Non-sparking ratchet assembly.
- Declutching arbor to prevent damage from reverse winding.
- Standard inlet: 90° balanced pressure swivel joint, 1" female NPT threads.
- Standard outlet: 1" female NPT threads.
- Standard pressures to 2000 psi (138 bar), available up to 6000 psi (414 bar) – must specify.
- Temperatures from -40° F to +400° F (-40° C to +204° C).
- 4-way roller assembly. SR and VR roller positions: swivel joint is standard on the right. TR roller positions: swivel joint is standard on the left. Other configurations available, must specify.
- Constant tension is available – consult factory.



Standard configuration shown

PARTS DRAWING – ISO 42

| Model Number | Hose Capacity of Reel feet m | | | Approx. Weight lb. kg | | Standard Roller Assy. | Reel Dimensions*** in. mm | | | | | | | | | |
|------------------|---------------------------------|--------------|-------------|--------------------------|------|-----------------------|------------------------------|-----|------|-------|-------|-------|-------|------|-----|-------|
| | I.D. in. mm | 3/4 19 | 1 25 | NET | SHIP | | A | B | C | D | E | F | G | H | X | Y |
| | O.D. in. mm | 1-9/32 33 | 1-1/2 38 | | | | 11.25 | 6 | 10.5 | 24.5 | 22.75 | 15.62 | 23.88 | 12.5 | 6.5 | 20 |
| †818-23-24-10.5J | | 50† | 25† | 87 | 122 | R206 | 286 | 152 | 267 | 622 | 578 | 397 | 607 | 318 | 165 | 508 |
| 816-25-26-10.5B | | 60 | 35 | 96 | 131 | R204 | 9.25 | 4 | 10.5 | 26.25 | 24.75 | 13.62 | 25.88 | 13.5 | 4.5 | 21.75 |
| 818-25-26-10.5B | | 70 | 50 | 102 | 137 | R206 | 235 | 102 | 267 | 667 | 629 | 346 | 657 | 343 | 114 | 552 |
| 820-25-26-10.5A | | 85 | 75 | 131 | 166 | R308 | 11.25 | 6 | 10.5 | 26.25 | 24.75 | 15.62 | 25.88 | 13.5 | 6.5 | 21.75 |
| 820-30-31-10.5A | | – | 100 | 137 | 172 | R308 | 286 | 152 | 267 | 667 | 629 | 397 | 657 | 343 | 165 | 552 |
| 820-30-31-15.5A | | 100 | – | 145 | 180 | R308 | 13.25 | 8 | 10.5 | 30.5 | 28.75 | 18.38 | 31.38 | 17 | 8.5 | 25.25 |
| | | 30 | – | 66 | 82 | | 337 | 203 | 267 | 775 | 730 | 467 | 797 | 432 | 216 | 641 |

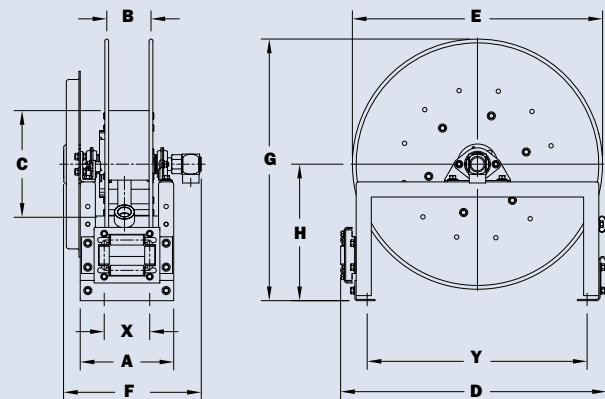
Notes:

A hose stop is necessary to keep spring from unwinding.

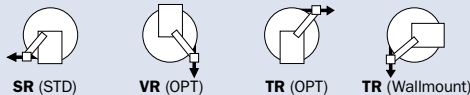
1. Specifications subject to change.
2. Reel models and capacities shown are for standard drag applications; for vertical lift applications, consult factory.
3. Other sizes, from standard components, available on request.
4. **Finish:** Refer to page 3.

5. Be sure to check dimensions and weights prior to ordering.

NOTICE: A flexible connector must be used between the inlet pipe and the inlet swivel joint.
*** X, Y indicate mounting holes. See page 5.
†Capacity based on low pressure air hose only.



Available Roller Positions



Series 900

- Bulk Transfer • Fuel Dispensing (Consult Factory)
- Suction/Discharge (Consult Factory)

To handle 1-1/4" or 1-1/2" I.D. hose.

- Rollformed channel frame construction.
- Non-sparking ratchet assembly.
- Declutching arbor to prevent damage from reverse winding.
- Standard inlet: 90° swivel joint, 1-1/2" female NPT threads, and 2" Victaulic® groove.
- Standard outlet: 1-1/2" female NPT threads.
- Standard pressures to 600 psi (41 bar).
- Temperatures from -20° F to +400° F (-29° C to +204° C).
- 4-way roller assembly. SR and VR roller positions: swivel joint is standard on the right. TR roller positions: swivel joint is standard on the left. Other configurations available, must specify.
- Constant tension is available – consult factory.



Standard configuration shown

PARTS DRAWING – ISO 29

| Model Number | Hose Capacity of Reel | | | Approx. Weight | | Standard Roller Assy. | Reel Dimensions*** | | | | | | | | |
|--------------|-----------------------|-------------|-------------|----------------|------|-----------------------|--------------------|-------|-------|-------|-------|------|------|-------|---|
| | feet m | | | lb. kg | | | in. mm | | | | | | | | |
| | I.D. in. mm | 1-1/4 32 | 1-1/2 38 | NET | SHIP | | A | B | D | E | F | G | H | X | Y |
| 922-23-24B | 40 | 25 | 104 | 139 | R310 | 15.25 | 10 | 25.25 | 22.75 | 24 | 23.88 | 12.5 | 10.5 | 20 | |
| | 12 | 8 | 47 | 63 | | 387 | 254 | 641 | 22.75 | 610 | 607 | 318 | 267 | 508 | |
| 920-25-26A | 50 | 40 | 127 | 162 | R308 | 13.25 | 8 | 27 | 24.75 | 22.75 | 25.88 | 13.5 | 8.5 | 21.75 | |
| | 15 | 12 | 58 | 73 | | 337 | 203 | 686 | 629 | 578 | 657 | 343 | 216 | 552 | |
| 922-30-31A | 75 | 50 | 156 | 191 | R310 | 15.25 | 10 | 30.5 | 28.75 | 24.75 | 31.38 | 17 | 10.5 | 25.25 | |
| | 23 | 15 | 71 | 87 | | 387 | 254 | 775 | 730 | 629 | 797 | 432 | 267 | 641 | |

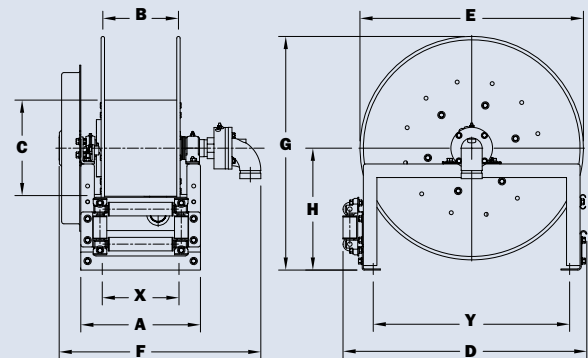
Notes:

A hose stop is necessary to keep spring from unwinding.

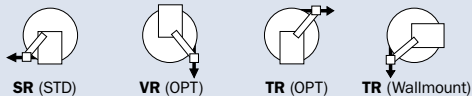
1. Specifications subject to change.
2. Reel models and capacities shown are for standard drag applications; for vertical lift applications, consult factory.
3. Other sizes, from standard components, available on request.
4. **Finish:** Refer to page 3.

5. Be sure to check dimensions and weights prior to ordering.

NOTICE: A flexible connector must be used between the inlet pipe and the inlet swivel joint.
*** X, Y indicate mounting holes. See page 5.



Available Roller Positions



Series 1000

- Pressure Washing • Washdown
- Spray Operations • Air

To handle single 1/4", 3/8" or 1/2" I.D. hose.

- Lightweight, compact with an e-coated frame.
- Direct crank rewind permanently attached.
- Adjustable cam-lock brake standard.
- Exterior mounting holes for easier installation.
- Redesigned (and field installable) pin lock.
- Standard inlet: 90° ball bearing swivel joint, 1/2" female NPT threads.
- Standard outlet: 3/8" female NPT threads, 1/2" available upon request.
- Standard pressures to 3000 psi (207 bar), available up to 5,000 psi (345 bar) – must specify.
- Temperatures from +32° F to +400° F (0° C to +204° C).



Standard configuration shown with optional pin lock

PARTS DRAWING – ISO 165

| Model Number | Hose Capacity of Reel feet m | | | | Approx. Weight Crank Rewind lb. kg | | | Reel Dimensions*** in. mm | | | |
|--------------|---------------------------------|-----|-----|-----|--|---------------------------|---------------------|------------------------------|-----|-------|-----|
| | I.D. in. | 1/4 | 3/8 | 1/2 | NET | UPS/ FedEx SHIP Wt. | Freight SHIP Wt. | A | B | F | X |
| | mm | 6 | 10 | 13 | | | | | | | |
| 1014-14-16 | | 100 | 75 | 40 | 23 | 42* | 58 | 11.5 | 6 | 19.25 | 10 |
| | | 31 | 23 | 12 | 10 | 19 | 26 | 292 | 152 | 489 | 254 |
| 1016-14-16 | | 150 | 100 | 70 | 24 | 42* | 59 | 13.5 | 8 | 21.25 | 12 |
| | | 46 | 31 | 21 | 11 | 19 | 27 | 343 | 203 | 540 | 305 |
| 1020-14-16 | | 250 | 175 | 100 | 25 | 42* | 60 | 17.5 | 12 | 25.25 | 16 |
| | | 76 | 53 | 30 | 11 | 19 | 27 | 445 | 305 | 641 | 406 |

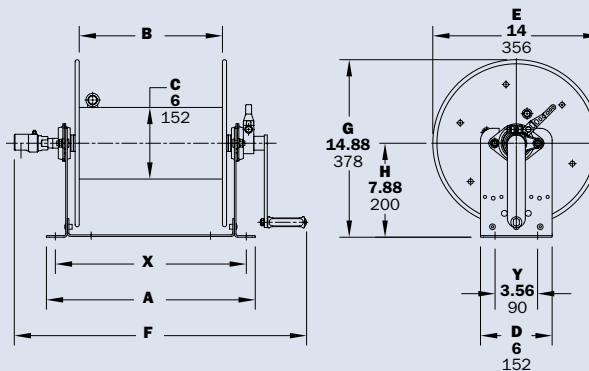
Notes:

1. Specifications subject to change.
2. Other sizes, from standard components, available on request.
3. **Finish:** Refer to page 3.
4. **Be sure to check dimensions and weights prior to ordering.**

NOTICE: A flexible connector must be used between the inlet pipe and the inlet swivel joint.

* Dimensional weight may apply when shipped as a parcel package (via FedEx or UPS Ground).

*** X, Y indicate mounting holes. See page 5.



Series 1500

- Lawn Care • Pest Control • Pressure Washing
- Agriculture • Steam Cleaning

To handle single 3/8" through 5/8" I.D. hose.

- Lightweight, compact reels designed for long lengths of hose in manual and power rewind.
- Manual rewind reels include: cam-lock drag brake, spring actuated pin lock and direct crank rewind.
- Power rewind reels include: chain and sprocket drive powered by electric, hydraulic or air motor.
- Standard inlet: 90° ball bearing swivel joint, 1/2" female NPT threads.
- Standard outlet: 1/2" female NPT threads.
- Standard pressures to 3000 psi (207 bar), available up to 10,000 psi (690 bar) – must specify.
- Temperatures from -40° F to +400° F (-40° C to +204° C).
- Rollers and roller mounting brackets are accessory items. Specify roller position.
- **Heavy-Duty Upgrade Options:** 3/16" thick discs, 8" diameter steel 14 gage drum, and optional pressures of 5000 or 10,000 psi, must specify when ordering.



Electric Rewind
Standard configuration shown



Optional External Mounting Brackets

Part No. 9906.0027.
Add 2-1/2" to the X dimensions shown in the chart.

PARTS DRAWING – ISO 90 (POWER); ISO 179 (MANUAL)

| Model Number <small>For power rewind see Note 5</small> | Hose Capacity of Reel feet m | | | | Approx. Weight Crank Rewind lb. kg <small>see Note 3</small> | | | Reel Dimensions*** in. mm | | | | | | |
|--|---------------------------------|-------------------|-------------------|-------------------|---|---------------------------|---------------------|------------------------------|------------------|--------------------|------------------|----------------------|--------------------|--------------------|
| | I.D. in. mm | 3/8 10 | 1/2 13 | 5/8 16 | NET | UPS/ FedEx SHIP Wt. | Freight SHIP Wt. | A | B | E CRANK | E POWER | F CRANK | F POWER | X |
| | O.D. in. mm | 3/4 19 | 7/8 22 | 1 25 | | | | | | | | | | |
| 1514-17-18 | | 125 38 | 75 23 | 50 15 | 27 12 | 65* 30 | 62 28 | 11 279 | 6 152 | 16.5 419 | 19 483 | 19.25 489 | 16.5 419 | 9.5 241 |
| 1520-17-18 | | 275 84 | 175 53 | 125 38 | 29 13 | 80* 36 | 64 29 | 17 432 | 12 305 | 16.5 419 | 19 483 | 25.25 641 | 22.5 572 | 15.5 394 |
| 1526-17-18 | | 400 122 | 300 91 | 200 61 | 31 14 | 98* 45 | 66 30 | 23 584 | 18 457 | 16.5 419 | 19 483 | 31.25 794 | 28.5 724 | 21.5 546 |
| 1530-17-18 | | 500 152 | 375 114 | 275 84 | 33 15 | 110* 50 | 68 31 | 27 686 | 22 559 | 16.5 419 | 19 483 | 35.25 895 | 32.5 826 | 25.5 648 |
| 1536-17-18 | | - | 475 145 | 350 107 | 35 16 | 129* 59 | 70 32 | 33 838 | 28 711 | 16.5 419 | 19 483 | 41.25 1048 | 38.5 978 | 31.5 800 |

Notes:

- Specifications subject to change.
- Upon request, reels can be supplied with drum lengths other than shown.
- Weights shown in chart are for crank rewind models. ADD these amounts for power rewind models (does not apply to FedEx or UPS):

| | | |
|------------------|---------------|---------------|
| | Net lbs/kg | Ship lbs/kg |
| Electric | 18/8.2 | 18/8.2 |
| Hydraulic | 15/6.8 | 15/6.8 |
| Air | 15/6.8 | 15/6.8 |

- Dimension "F" is the overall length of standard model reels.
- When ordering power rewind models, prefix model number with:
 - A** = Air Rewind – Supplied with control valve and 18" air hose.

E = Electric Rewind – 12v and 24v DC rewind reels are supplied with switch and solenoid; 115v AC rewind reels are not supplied with switch but can be ordered separately.

HD = Hydraulic Rewind – Not supplied with control valve.

6. Manual rewind available in RT or LB configurations only.

7. **Finish:** Refer to page 3.

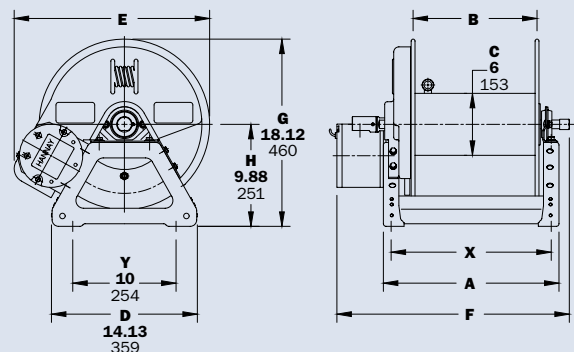
8. **Be sure to check dimensions and weights prior to ordering.**

9. Some roller options may prohibit the use of our molded chain guard.

NOTICE: A flexible connector must be used between the inlet pipe and the inlet swivel joint.

* Dimensional weight applies when shipped as a parcel package (via FedEx or UPS Ground).

*** X, Y indicate mounting holes. See page 5.



Electric rewind shown

Series 1800

• Air Compressors • Washdown

To handle single 5/8" or 3/4" I.D. hose.

- Lightweight, compact reels designed for long lengths of hose in manual and power rewind.
- Manual rewind reels include: cam-lock drag brake, spring actuated pin lock and direct crank rewind.
- Power rewind reels include: chain and sprocket drive powered by electric, hydraulic or air motor.
- Standard inlet: 90° ball bearing swivel joint, 1" female NPT threads.
- Standard outlet: 3/4" female NPT threads.
- Standard pressures to 2000 psi (138 bar), available up to 4000 psi (276 bar) – must specify.
- Temperatures from -40° F to +400° F (-40° C to +204° C).
- Rollers and roller mounting brackets are accessory items. Specify roller position.



Electric rewind
Standard configuration shown



Optional External Mounting Brackets

Part No. 9906.0027.
Add 2-1/2" to the X dimensions shown in the chart.

PARTS DRAWING – ISO 136 (POWER); ISO 180 (MANUAL)

| Model Number <small>For power rewind see Note 5</small> | Hose Capacity of Reel feet m | | | Approx. Weight Crank Rewind lb. kg <small>see Note 3</small> | | | Reel Dimensions*** in. mm | | | | | | |
|--|---------------------------------|------------------|------------------|---|---------------------------|---------------------|------------------------------|------------------|--------------------|------------------|----------------------|--------------------|--------------------|
| | I.D. in. mm | 5/8 16 | 3/4 19 | NET | UPS/ FedEx SHIP Wt. | Freight SHIP Wt. | A | B | E CRANK | E POWER | F CRANK | F POWER | X |
| | O.D. in. mm | 1 25 | 1-9/32 40 | | | | | | | | | | |
| 1816-17-18 | | 75 23 | 50 15 | 28 13 | 80* 36 | 63 29 | 13 330 | 8 203 | 16.5 419 | 19 483 | 24.13 613 | 18.5 470 | 11.5 292 |
| 1822-17-18 | | 150 46 | 100 30 | 30 14 | 98* 45 | 65 29 | 19 483 | 14 356 | 16.5 419 | 19 483 | 30.13 765 | 24.5 622 | 17.5 445 |
| 1826-17-18 | | 200 61 | 125 38 | 32 15 | 98* 45 | 67 30 | 23 584 | 18 457 | 16.5 419 | 19 483 | 34.13 867 | 28.5 724 | 21.5 546 |
| 1830-17-18 | | 250 76 | 150 46 | 33 15 | 110* 50 | 68 31 | 27 686 | 22 559 | 16.5 419 | 19 483 | 38.13 968 | 32.5 826 | 25.5 648 |
| 1836-17-18 | | 300 91 | 200 61 | 36 16 | 129* 59 | 71 32 | 33 838 | 28 711 | 16.5 419 | 19 483 | 44.13 1121 | 38.5 978 | 31.5 800 |

Notes:

1. Specifications subject to change.
2. Upon request, reels can be supplied with drum lengths other than shown.
3. Weights shown in chart are for crank rewind models. ADD these amounts for power rewind models (does not apply to FedEx or UPS):

| | Net lbs/kg | Ship lbs/kg |
|------------------|---------------|---------------|
| Electric | 18/8.2 | 18/8.2 |
| Hydraulic | 15/6.8 | 15/6.8 |
| Air | 15/6.8 | 15/6.8 |

4. Dimension "F" is the overall length of standard model reels.
5. When ordering power rewind models, prefix model number with:

A = Air Rewind –
Supplied with control valve and 18" air hose.

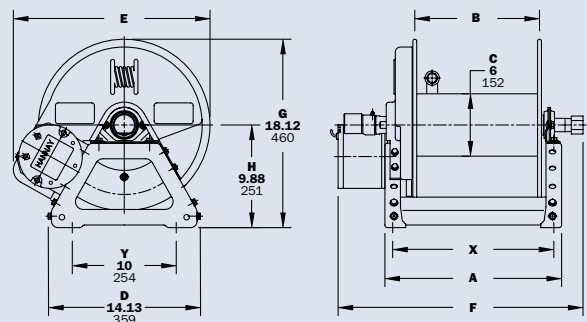
E = Electric Rewind –
12v and 24v DC rewind reels are supplied with switch and solenoid; 115v AC rewind reels are not supplied with switch but can be ordered separately.

HD = Hydraulic Rewind –
Not supplied with control valve.

6. Manual rewind available in RT or LB configurations only.
7. **Finish:** Refer to page 3.
8. **Be sure to check dimensions and weights prior to ordering.**
9. Some roller options may prohibit the use of our molded chain guard.

NOTICE: A flexible connector must be used between the inlet pipe and the inlet swivel joint.
* Dimensional weight applies when shipped as a parcel package (via FedEx or UPS Ground).

*** X, Y indicate mounting holes. See page 5.



Power rewind shown

Series 2000 | Dual Hose

• Hydraulics • Spray Painting • Air/Water

To handle dual 1/4" through 1/2" I.D. hose.

- Two swivel joint inlets and two outlet risers to handle two equal lengths of hose.
 - Chain-driven crank rewind or chain and sprocket rewind powered by an electric or compressed air motor.
 - MX crank rewind reels have pinion brake as standard.
 - Power rewind reels are not supplied with a brake.
 - Standard inlets: 90° ball bearing swivel joints, 1/2" female NPT threads.
 - Standard outlets: 1/2" female NPT threads.
 - Standard pressures to 3000 psi (207 bar), available up to 10,000 psi (690 bar) – must specify.
 - Temperatures from -40° F to +400° F (-40° C to +204° C).
 - Reels for use with oxygen/acetylene.
- See Series 2400 Hannay Reels Welding Catalog H0408-W.



Electric rewind Standard configuration shown



Optional External Mounting Brackets

Part No. 9906.0027.
Add 2-1/2" to the X dimensions shown in the chart.

PARTS DRAWING – ISO 112

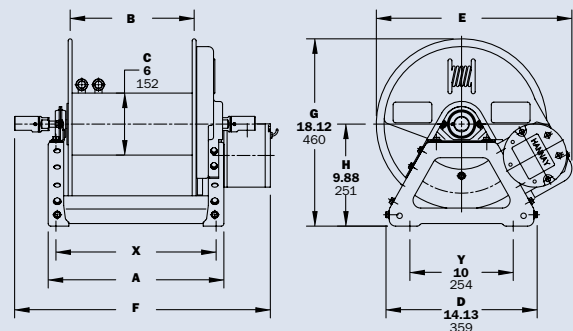
| Model Number <small>For power rewind see Note 5</small> | Hose Capacity of Reel feet m | | | | Approx. Weight Crank Rewind ³ lb. kg <small>see Note 3</small> | | | Reel Dimensions*** in. mm | | | | | | |
|--|---------------------------------|--------------|--------------|--------------|--|---------------------------|---------------------|------------------------------|-----------|-------------|------------|------------|------------|-------------|
| | I.D. in. mm | 1/4 6 | 3/8 10 | 1/2 13 | NET | UPS/ FedEx SHIP Wt. | Freight SHIP Wt. | A | B | E CRANK | E POWER | F CRANK | F POWER | X |
| | O.D. in. mm | 5/8 16 | 3/4 19 | 7/8 22 | | | | | | | | | | |
| 2016-17-18 | | 2/100 | 2/75 | 2/50 | 32 | 80* | 67 | 13 | 8 | 18.5 | 19 | 21 | 20 | 11.5 |
| | | 2/31 | 2/23 | 2/15 | 15 | 36 | 30 | 330 | 203 | 470 | 483 | 533 | 508 | 292 |
| 2020-17-18 | | 2/175 | 2/125 | 2/75 | 34 | 98* | 69 | 17 | 12 | 18.5 | 19 | 25 | 24 | 15.5 |
| | | 2/53 | 2/38 | 2/23 | 15 | 45 | 31 | 432 | 305 | 470 | 483 | 635 | 610 | 394 |
| 2026-17-18 | | 2/275 | 2/200 | 2/125 | 36 | 110* | 71 | 23 | 18 | 18.5 | 19 | 31 | 30 | 21.5 |
| | | 2/84 | 2/61 | 2/38 | 16 | 50 | 32 | 584 | 457 | 470 | 483 | 787 | 762 | 546 |
| 2030-17-18 | | 2/350 | 2/250 | 2/175 | 37 | 129* | 72 | 27 | 22 | 18.5 | 19 | 35 | 34 | 25.5 |
| | | 2/107 | 2/76 | 2/53 | 17 | 59 | 33 | 686 | 559 | 470 | 483 | 889 | 864 | 648 |
| 2036-17-18 | | 2/425 | 2/300 | 2/225 | 39 | 129* | 74 | 33 | 28 | 18.5 | 19 | 41 | 40 | 31.5 |
| | | 2/130 | 2/91 | 2/69 | 18 | 59 | 34 | 838 | 711 | 470 | 483 | 1041 | 1016 | 800 |

Notes:

- Specifications subject to change.
- Upon request, reels can be supplied with drum lengths other than shown.
- Weights shown in chart are for crank rewind models. ADD these amounts for power rewind models (does not apply to FedEx or UPS):

| | Net lbs/kg | Ship lbs/kg |
|-----------------|---------------|---------------|
| Electric | 18/8.2 | 18/8.2 |
| Air | 15/6.8 | 15/6.8 |
- Dimension "F" is the overall length of standard model reels. MX chain-drive crank models require 2" clearance to remove crank handle.
- When ordering power rewind models, prefix model number with:
 - A** = Air Rewind – Supplied with control valve and 18" air hose.

- E** = Electric Rewind – 12v and 24v DC rewind reels are supplied with switch and solenoid; 115v AC rewind reels are not supplied with switch but can be ordered separately.
- MX** = Chain-Driven Crank.
- 6. Finish:** Refer to page 3.
- 7. Be sure to check dimensions and weights prior to ordering.**
- Some roller options may prohibit the use of our molded chain guard.
- NOTICE:** A flexible connector must be used between the inlet pipe and the inlet swivel joint.
- * Dimensional weight applies when shipped as a parcel package (via FedEx or UPS Ground).
- *** X, Y indicate mounting holes. See page 5.



Power rewind shown

Dual Hose | Series **G2000**

• Hydraulics • Spray Painting • Air/Water

To handle dual 1/4" through 1/2" I.D. hose.

- Two swivel joint inlets and two outlet risers to handle two equal lengths of hose.
- Gear-driven crank rewind.
- Pinion brake as standard.
- Standard inlets: 90° ball bearing swivel joints, 1/2" female NPT threads.
- Standard outlets: 1/2" female NPT threads.
- Standard pressures to 3000 psi (207 bar), available up to 10,000 psi (690 bar) – must specify.
- Temperatures from -40° F to +400° F (-40° C to +204° C).
- For power rewind, see Series 2000, page 20.
- Reels for use with oxygen/acetylene.
See Series 2400 Hannay Reels Welding Catalog H0408-W.



Standard gear-driven crank rewind with optional finish shown



Optional External Mounting Brackets

Part No. 9906.0027.

Add 2-1/2" to the X dimensions shown in the chart.

PARTS DRAWING – ISO 205

| Model Number | Hose Capacity of Reel feet m | | | | Approx. Weight Crank Rewind lb. kg | | | Reel Dimensions*** in. mm | | | |
|----------------------|---------------------------------|--------------|--------------|-----------|--|---------------------------|---------------------|------------------------------|-----------|-------------|---|
| | I.D. in. mm | 1/4 6 | 3/8 10 | 1/2 13 | NET | UPS/ FedEx SHIP Wt. | Freight SHIP Wt. | A | B | F | X |
| | O.D. in. mm | 5/8 16 | 3/4 19 | 7/8 22 | | | | | | | |
| G2016-17-18-8 | 2/75 | 2/50 | 2/35 | 40 | 80* | 75 | 13 | 8 | 21 | 11.5 | |
| | 2/23 | 2/15 | 2/11 | 15 | 36 | 34 | 330 | 203 | 533 | 292 | |
| G2020-17-18-8 | 2/125 | 2/100 | 2/50 | 42 | 98* | 77 | 17 | 12 | 25 | 15.5 | |
| | 2/38 | 2/31 | 2/15 | 18 | 45 | 35 | 432 | 305 | 635 | 394 | |
| G2026-17-18-8 | 2/200 | 2/150 | 2/100 | 44 | 110* | 79 | 23 | 18 | 31 | 21.5 | |
| | 2/61 | 2/46 | 2/31 | 19 | 50 | 36 | 584 | 457 | 787 | 546 | |

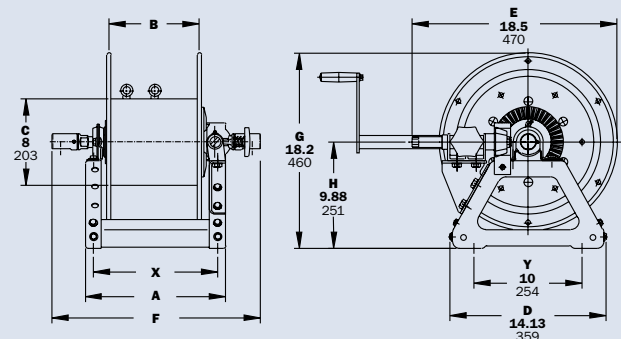
Notes:

1. Specifications subject to change.
2. Upon request, reels can be supplied with drum lengths other than shown.
3. **Finish:** Refer to page 3.
4. **Be sure to check dimensions and weights prior to ordering.**

NOTICE: A flexible connector must be used between the inlet pipe and the inlet swivel joint.

* Dimensional weight applies when shipped as a parcel package (via FedEx or UPS Ground).

*** X, Y indicate mounting holes. See page 5.



Series 3000

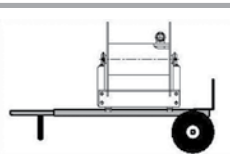
- Fuel Dispensing (Consult Factory) • Spray Operations
- Fire Protection

To handle 3/4" or 1" I.D. hose.

- Economical manual rewind reels for long lengths of hose.
- Choose disc rewind or removable direct crank rewind.
- Supplied with spring actuated pin lock.
- Standard inlet: 90° ball bearing swivel joint, 1" female NPT threads.
- Standard outlet: 1" female NPT thread.
- Standard: inlet, outlet riser, and hub assembly are steel. Options: swivel joint also available in aluminum or stainless steel. Riser and hub assembly also available in stainless steel.
- Standard pressures to 2000 psi (138 bar), available up to 4000 psi (276 bar) – must specify.
- Temperatures from -40° F to +400° F (-40° C to +204° C).
- Rollers and roller mounting brackets are accessory items. Specify roller position.



Standard configuration with crank handle shown



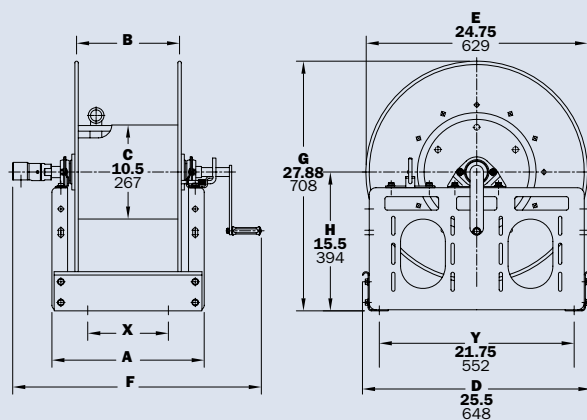
Optional Aluminum Hand Cart
4300-AL mounting available.

PARTS DRAWING – ISO 113

| Model Number | Hose Capacity of Reel feet m | | | Approx. Weight Crank Rewind lb. kg | | Reel Dimensions*** In. mm | | | |
|--------------|---------------------------------|--------------|-------------|--|------|------------------------------|------|------|------|
| | I.D. in. mm | 3/4 19 | 1 25 | NET | SHIP | A | B | F | X |
| | O.D. in. mm | 1-9/32 33 | 1-1/2 38 | | | | | | |
| 3016-25-26 | | 100 | 75 | 85 | 120 | 13 | 7.5 | 24.5 | 7.75 |
| | | 30 | 23 | 39 | 54 | 330 | 191 | 622 | 197 |
| 3020-25-26 | | 150 | 100 | 94 | 129 | 17 | 11.5 | 28.5 | 9 |
| | | 46 | 30 | 43 | 59 | 432 | 292 | 724 | 229 |
| 3024-25-26 | | 200 | 125 | 103 | 138 | 21 | 15.5 | 32.5 | 13 |
| | | 61 | 38 | 47 | 63 | 533 | 394 | 826 | 330 |
| 3028-25-26 | | 275 | 175 | 113 | 155 | 25.5 | 20 | 37 | 17.5 |
| | | 84 | 53 | 51 | 70 | 648 | 508 | 940 | 445 |

Notes:

- Specifications subject to change.
 - Upon request, reels can be supplied with drum lengths other than shown and with disc sizes in other diameters.
 - Power rewind NOT available on these models.
 - Dimension "F" is the overall length of standard model reels. For crank rewind models, 3-1/2" clearance is required to remove crank.
 - Subtract 5" from "F" dimension for disc rewind models.
 - Finish: Call factory for offshore/marine finish, available at extra cost. Refer to page 3.
 - Be sure to check dimensions and weights prior to ordering.
- NOTICE:** A flexible connector must be used between the inlet pipe and the inlet swivel joint.
- *** X, Y indicate mounting holes. See page 5.



Series 3500

- Fuel Dispensing (Consult Factory) • Bulk Transfer
- Fire Protection

To handle 1-1/4" or 1-1/2" I.D. hose.

- Economical manual rewind reels for long lengths of hose.
- Choose disc rewind or removable direct crank rewind.
- Supplied with spring actuated pin lock.
- Standard inlet: 90° ball bearing swivel joint, 1-1/2" female NPT threads, and 2" Victaulic® groove.
- Standard outlet: flanged riser with 1-1/2" female NPT threads.
- Standard: inlet, outlet riser, and hub assembly are steel. Options: also available in aluminum or stainless steel.
- Standard pressures to 600 psi (41 bar), available up to 1000 psi (69 bar) – must specify.
- Temperatures from -20° F to +212° F (-29° C to +100° C).
- Rollers and roller mounting brackets are accessory items. Specify roller position.



Standard configuration shown



Optional Aluminum Hand Cart

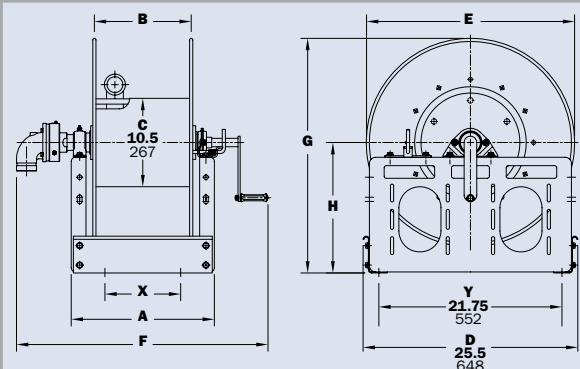
4300-AL mounting available.

PARTS DRAWING – ISO 111

| Model Number | Hose Capacity of Reel feet m | | | Approx. Weight Crank Rewind lb. kg | | Reel Dimensions*** in. mm | | | | | | |
|--------------|---------------------------------|---------------|--------------|--|------|------------------------------|------|-------|-------|-------|------|------|
| | I.D. in. mm | 1-1/4 32 | 1-1/2 38 | NET | SHIP | A | B | E | F | G | H | X |
| | O.D. in. mm | 1-13/16 46 | 2-1/16 52 | | | | | | | | | |
| 3520-25-26 | | 75 | 50 | 104 | 139 | 17 | 11.5 | 24.75 | 30.75 | 27.88 | 15.5 | 9 |
| | | 23 | 15 | 47 | 63 | 432 | 292 | 629 | 781 | 708 | 394 | 229 |
| 3524-25-26 | | 100 | 75 | 113 | 157 | 21 | 15.5 | 24.75 | 34.75 | 27.88 | 15.5 | 13 |
| | | 30 | 23 | 51 | 71 | 533 | 394 | 629 | 883 | 708 | 394 | 330 |
| 3528-25-26 | | 150 | 100 | 123 | 173 | 25.5 | 20 | 24.75 | 39.25 | 27.88 | 15.5 | 17.5 |
| | | 46 | 30 | 56 | 78 | 648 | 508 | 629 | 997 | 708 | 394 | 445 |
| 3524-30-31 | | 150 | 100 | 124 | 174 | 21 | 15.5 | 28.75 | 34.75 | 29.88 | 15.5 | 13 |
| | | 46 | 30 | 56 | 79 | 533 | 394 | 730 | 883 | 759 | 394 | 330 |
| 3528-30-31 | | 200 | 150 | 134 | 184 | 25.5 | 20 | 28.75 | 39.25 | 29.88 | 15.5 | 17.5 |
| | | 61 | 46 | 61 | 83 | 648 | 508 | 730 | 997 | 759 | 394 | 445 |
| 3534-30-31 | | - | 200 | 147 | 197 | 31.5 | 26 | 28.75 | 45.25 | 29.88 | 15.5 | 23.5 |
| | | - | 61 | 67 | 89 | 800 | 660 | 730 | 1149 | 759 | 394 | 597 |
| 3530-33-34 | | - | 250 | 138 | 188 | 27.5 | 22 | 31.75 | 41.25 | 32.38 | 16.5 | 19.5 |
| | | - | 76 | 63 | 85 | 699 | 559 | 806 | 1048 | 822 | 419 | 495 |

Notes:

- Specifications subject to change.
 - Upon request, reels can be supplied with drum lengths other than shown and with disc sizes in other diameters.
 - Power rewind NOT available on these models.
 - Dimension "F" is the overall length of standard model reels. For crank rewind models, 3-1/2" clearance is required to remove crank.
 - Subtract 5" from "F" dimension for disc rewind models.
 - Finish:** Call factory for offshore/marine finish, available at extra cost. Refer to page 3.
 - Be sure to check dimensions and weights prior to ordering.**
- NOTICE:** A flexible connector must be used between the inlet pipe and the inlet swivel joint.
*** X, Y indicate mounting holes. See page 5.



Series 4000

- Fuel Dispensing (Consult Factory) • Water Supply
- Fire Protection • Chemical Transfer

To handle single 3/4" or 1" I.D. hose.

- Lightweight, compact reels designed for long lengths of hose in manual and power rewind.
- Manual rewind reels include: cam-lock drag brake, spring actuated pin lock and removable direct crank rewind.
- Power rewind reels include: chain and sprocket drive powered by electric, hydraulic or air. Strap brake is standard.
- Standard inlet: 90° ball bearing swivel joint, 1" female NPT threads.
- Standard outlet: 1" female NPT threads.
- Standard pressures to 2000 psi (138 bar), available up to 4000 psi (276 bar) – must specify.
- Temperatures from -40° F to +400° F (-40° C to +204° C).
- Rollers and roller mounting brackets are accessory items. Specify roller position.



Electric rewind
Standard
configuration
shown



Optional External Mounting Brackets

Part No. 9906.0027.

Add 2-1/2" to the X dimensions shown in the chart.

PARTS DRAWING – ISO 68 (POWER); ISO 125 (MANUAL)

| Model Number For power rewind see Note 5 | Hose Capacity of Reel feet m | | | Approx. Weight Crank Rewind lb. kg see Note 3 | | | Reel Dimensions*** in. mm | | | | | | |
|---|---------------------------------|------------------|-----------------|--|---------------------------|---------------------|------------------------------|--------------------|------------------|----------------------|---------------------|--------------------|---|
| | I.D. in. mm | 3/4 19 | 1 25 | NET | UPS/ FedEx SHIP Wt. | Freight SHIP Wt. | A | B | E CRANK | E POWER | F CRANK | F POWER | X |
| | O.D. in. mm | 1-9/32 33 | 1-1/2 38 | | | | | | | | | | |
| 4018-17-18 | 50 15 | 35 11 | 36 16 | 80* 36 | 71 32 | 15 381 | 10 254 | 16.5 419 | 19 483 | 27.75 705 | 20.5 521 | 13.5 343 | |
| 4024-17-18 | 100 30 | 50 15 | 46 21 | 98* 45 | 81 37 | 21 533 | 16 406 | 16.5 419 | 19 483 | 33.75 857 | 26.5 673 | 19.5 495 | |
| 4030-17-18 | 150 46 | 75 23 | 57 26 | 110* 50 | 92 42 | 27 686 | 22 559 | 16.5 419 | 19 483 | 39.75 1010 | 32.5 826 | 25.5 648 | |
| 4038-17-18 | 200 61 | 100 30 | 70 32 | - | 124 56 | 35 889 | 30 762 | 16.5 419 | 19 483 | 47.75 1213 | 40.5 1029 | 33.5 851 | |

Notes:

- Specifications subject to change.
- Upon request, reels can be supplied with drum lengths other than shown.
- Weights shown in chart are for crank rewind models. ADD these amounts for power rewind models (does not apply to FedEx or UPS):

| | Net lbs/kg | Ship lbs/kg |
|------------------|---------------|---------------|
| Electric | 18/8.2 | 18/8.2 |
| Hydraulic | 15/6.8 | 15/6.8 |
| Air | 15/6.8 | 15/6.8 |

- Dimension "F" is the overall length of standard model reels. Crank rewind reels require 3-1/2" clearance to remove or install crank handle.
- When ordering power rewind models, prefix model number with:

A = Air Rewind –
Supplied with control valve and 18" air hose.

E = Electric Rewind –
12v and 24v DC rewind reels are supplied with switch and solenoid; 115v AC rewind reels are not supplied with switch but can be ordered separately.

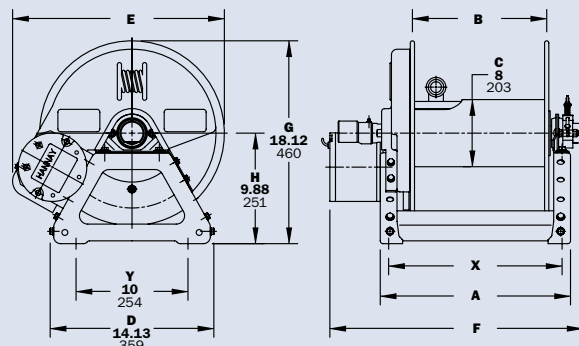
HD = Hydraulic Rewind –
Not supplied with control valve.

- Finish:** Refer to page 3.
- Be sure to check dimensions and weights prior to ordering.**
- Some roller options may prohibit the use of our molded chain guard.

NOTICE: A flexible connector must be used between the inlet pipe and the inlet swivel joint.

* Dimensional weight applies when shipped as a parcel package (via FedEx or UPS Ground).

*** X, Y indicate mounting holes. See page 5. (Also applies for external mounting brackets.)



Power rewind shown

Series 4100

- Fuel Dispensing (Consult Factory) • Water Supply
- Fire Protection • Chemical Transfer

To handle single 3/4" or 1" I.D. hose.

- Lightweight, compact reels designed for long lengths of hose in manual and power rewind.
- Manual rewind reels include: gear-driven crank rewind with removable handle and adjustable brake.
- Power rewind reels include: chain and sprocket drive powered by electric, hydraulic or air motor.
- Standard inlet: 90° ball bearing swivel joint, 1" female NPT threads.
- Standard outlet: 1" female NPT threads.
- Standard pressures to 2000 psi (138 bar), available up to 4000 psi (276 bar) – must specify.
- Temperatures from -40° F to +400° F (-40° C to +204° C).
- Rollers and roller mounting brackets are accessory items. Specify roller position.



Electric rewind with gear-driven crank rewind and optional finish shown

PARTS DRAWING – ISO 216

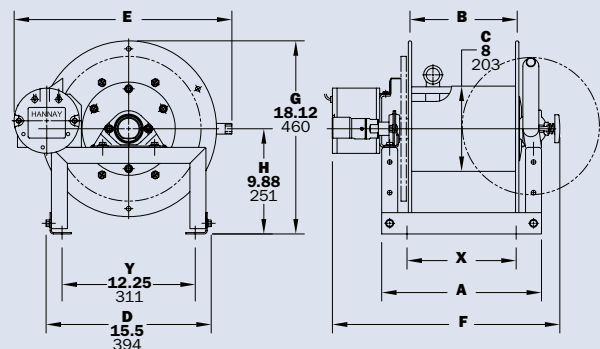
| Model Number For power rewind see Note 5 | Hose Capacity of Reel feet m | | | Approx. Weight Crank Rewind lb. kg see Note 3 | | Reel Dimensions*** in. mm | | | | | |
|---|---------------------------------|------------------|------------------|--|------------------|------------------------------|------------------|------------------|--------------------|---------------------|--------------------|
| | I.D. in. mm | 3/4 19 | 1 25 | NET | SHIP | A | B | E CRANK | E POWER | F | X |
| | O.D. in. mm | 1-9/32 33 | 1-1/2 38 | | | | | | | | |
| 4118-17-18 | | 50 15 | 35 11 | 62 28 | 97 44 | 15 381 | 10 254 | 18 457 | 20.5 521 | 21.5 546 | 7.5 190 |
| 4124-17-18 | | 100 30 | 50 15 | 72 33 | 107 49 | 21 533 | 16 406 | 18 457 | 20.5 521 | 27.5 699 | 13.5 343 |
| 4130-17-18 | | 150 46 | 75 23 | 83 38 | 118 54 | 27 686 | 22 559 | 18 457 | 20.5 521 | 33.5 851 | 19.5 495 |
| 4138-17-18 | | 200 61 | 100 30 | 96 44 | 131 59 | 35 889 | 30 762 | 18 457 | 20.5 521 | 41.5 1054 | 27.5 698 |

Notes:

- Specifications subject to change.
- Upon request, reels can be supplied with drum lengths other than shown.
- Weights shown in chart are for crank rewind models. ADD these amounts for power rewind models:

| | Net lbs/kg | Ship lbs/kg |
|------------------|---------------|---------------|
| Electric | 18/8.2 | 18/8.2 |
| Hydraulic | 15/6.8 | 15/6.8 |
| Air | 15/6.8 | 15/6.8 |
- Dimension "F" is the overall length of standard model reels.
- When ordering standard gear rewind models, prefix model number with:
G = Gear Rewind.

When ordering power rewind models, prefix model number with:
A = Air Rewind – Supplied with control valve and 18" air hose.
E = Electric Rewind – 12v and 24v DC rewind reels are supplied with switch and solenoid; 115v AC rewind reels are not supplied with switch but can be ordered separately.
HD = Hydraulic Rewind – Not supplied with control valve.
6. Finish: Refer to page 3.
7. Be sure to check dimensions and weights prior to ordering.
NOTICE: A flexible connector must be used between the inlet pipe and the inlet swivel joint.
 *** X, Y indicate mounting holes. See page 5.



Power rewind shown

Series 6000

- Fuel Dispensing (Consult Factory) • Fire Protection
- Spray Operations • Water Blasting* • Sewer Cleaning*

To handle single 1/2" through 1" I.D. hose.

- Heavy-duty reel for longer lengths of hose.
- Choose gear-driven crank rewind or chain and sprocket drive powered by an electric, hydraulic or compressed air motor.
- Crank rewind reels supplied with pinion brake; power rewind reels with a strap brake.
- Standard inlet: 90° ball bearing swivel joint, 1" female NPT threads.
- Standard outlet: 1" female NPT threads.
- Standard: inlet, outlet riser, and hub assembly are steel. Options: swivel joint also available in aluminum or stainless steel. Riser and hub assembly also available in stainless steel.
- Standard pressures to 2000 psi (138 bar), available up to 5000 psi (345 bar) – must specify.
- Temperatures from -40° F to +400° F (-40° C to +204° C).
- Rollers and roller mounting brackets are accessory items. Specify roller position.
- Consult factory for optional chain guard.

* Heavy-duty construction required for water blasting and sewer cleaning applications. Consult factory.



Electric rewind
Standard
configuration
shown



Optional Auxiliary Rewind

Ring and pinion shaft rewind unit with removable crank handle.



Optional Assembly
C2 roller top wind and
auxiliary rewind shown

Series 6000

- Fuel Dispensing (Consult Factory) • Fire Protection
- Spray Operations • Water Blasting* • Sewer Cleaning*

PARTS DRAWING – ISO 84

| Model Number For power rewind see Note 5 | Hose Capacity of Reel feet m | | | | Approx. Weight Crank Rewind lb. kg see Note 4 | | Reel Dimensions*** In. mm | | | | | | | | | |
|--|---------------------------------|-----------|--------------|-------------|--|------|------------------------------|------|------|-------|------------|------------|-------|-------|------|-------|
| | I.D. in. mm | 1/2 13 | 3/4 19 | 1 25 | NET | SHIP | A | B | D | E | F CRANK | F POWER | G | H | X | Y |
| | O.D. in. mm | 7/8 22 | 1-9/32 33 | 1-1/2 38 | | | | | | | | | | | | |
| 6024-19-21 | 200 | 100 | 60 | 85 | 85 | 127 | 21 | 15.5 | 20.5 | 18.75 | 25.38 | 28.5 | 21.5 | 12.12 | 13 | 16.75 |
| | 61 | 30 | 18 | 39 | 39 | 58 | 533 | 394 | 521 | 476 | 645 | 724 | 546 | 308 | 330 | 425 |
| 6032-19-21 | 325 | 175 | 85 | 102 | 144 | | 29.5 | 24 | 20.5 | 18.75 | 33.88 | 37 | 21.5 | 12.12 | 21.5 | 16.75 |
| | 99 | 53 | 26 | 46 | 65 | | 749 | 610 | 521 | 476 | 861 | 940 | 546 | 308 | 546 | 425 |
| 6024-23-24 | 400 | 150 | 125 | 92 | 134 | | 21 | 15.5 | 20.5 | 22.75 | 25.38 | 28.5 | 23.5 | 12.12 | 13 | 16.75 |
| | 122 | 46 | 38 | 42 | 61 | | 533 | 394 | 521 | 578 | 645 | 724 | 597 | 308 | 330 | 425 |
| 6030-23-24 | - | 225 | 200 | 105 | 147 | | 27.5 | 22 | 20.5 | 22.75 | 31.88 | 35 | 23.5 | 12.12 | 19.5 | 16.75 |
| | - | 68 | 61 | 48 | 67 | | 699 | 559 | 521 | 578 | 810 | 889 | 597 | 308 | 495 | 425 |
| 6038-23-24 | - | 300 | 250 | 120 | 162 | | 35 | 29.5 | 20.5 | 22.75 | 39.38 | 42.5 | 23.5 | 12.12 | 27 | 16.75 |
| | - | 91 | 76 | 54 | 73 | | 889 | 749 | 521 | 578 | 1000 | 1080 | 597 | 308 | 686 | 425 |
| 6016-25-26 | 250 | 100 | 75 | 88 | 130 | | 13 | 7.5 | 25.5 | 24.75 | 17.38 | 20.5 | 27.88 | 15.5 | 7.75 | 21.75 |
| | 76 | 30 | 23 | 40 | 59 | | 330 | 191 | 648 | 629 | 441 | 521 | 708 | 394 | 197 | 552 |
| 6022-25-26 | 450 | 175 | 125 | 100 | 142 | | 19 | 13.5 | 25.5 | 24.75 | 23.38 | 26.5 | 27.88 | 15.5 | 11 | 21.75 |
| | 137 | 84 | 38 | 45 | 64 | | 483 | 343 | 648 | 629 | 594 | 673 | 708 | 394 | 279 | 552 |
| 6028-25-26 | - | 275 | 175 | 113 | 155 | | 25.5 | 20 | 25.5 | 24.75 | 29.88 | 33 | 27.88 | 15.5 | 17.5 | 21.75 |
| | - | 84 | 53 | 51 | 70 | | 648 | 508 | 648 | 629 | 759 | 838 | 708 | 394 | 445 | 552 |
| 6018-30-31 | 400 | 200 | 150 | 101 | 151 | | 15 | 9.5 | 25.5 | 28.75 | 19.38 | 22.5 | 29.88 | 15.5 | 7 | 21.75 |
| | 122 | 61 | 46 | 46 | 68 | | 381 | 241 | 648 | 730 | 492 | 572 | 759 | 394 | 178 | 552 |
| 6024-30-31 | - | 350 | 250 | 113 | 163 | | 21 | 15.5 | 25.5 | 28.75 | 25.38 | 28.5 | 29.88 | 15.5 | 13 | 21.75 |
| | - | 107 | 76 | 51 | 74 | | 533 | 394 | 648 | 730 | 645 | 724 | 759 | 394 | 330 | 552 |
| 6028-30-31 | - | - | 300 | 121 | 171 | | 25.5 | 20 | 25.5 | 28.75 | 29.88 | 33 | 29.88 | 15.5 | 17.5 | 21.75 |
| | - | - | 91 | 55 | 78 | | 648 | 508 | 648 | 730 | 759 | 838 | 759 | 394 | 445 | 552 |
| † 6028-33-34 | - | - | 400 | 129 | 179 | | 25 | 20 | 31.5 | 31.75 | 29.62 | 32.75 | 33.62 | 17.75 | 17.5 | 27.75 |
| | - | - | 122 | 59 | 81 | | 635 | 508 | 800 | 806 | 752 | 832 | 854 | 451 | 445 | 705 |

Notes:

- Specifications subject to change.
- Upon request, reels can be supplied with drum lengths other than shown and with disc sizes in other diameters.
- Dimensions shown for reels up to and including 30-31 disc size reflect pressed frames. All others are rollformed channel frames.
- Weights shown in chart are for crank rewind models. ADD these amounts for power rewind models.

| | Net lbs/kg | Ship lbs/kg |
|-----------|------------|-------------|
| Electric | 40/18.1 | 40/18.1 |
| Hydraulic | 20/9.1 | 20/9.1 |
| Air | 20/9.1 | 20/9.1 |

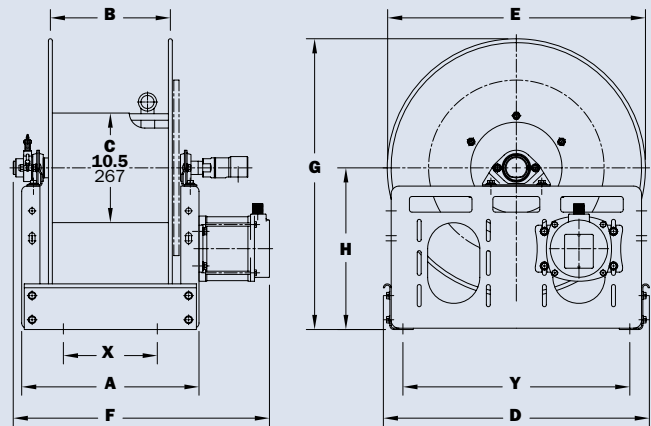
- When ordering power rewind models, prefix model number with:
 - A** = Air Rewind – Supplied with control valve and 18" air hose.
 - EP** = Electric Rewind (1/2 HP) – 12v and 24v DC rewind reels are supplied with switch and solenoid; 115v AC rewind reels are not supplied with switch but can be ordered separately.
 - HD** = Hydraulic Rewind – Not supplied with control valve.

- Finish:** Refer to page 3.
- Be sure to check dimensions and weights prior to ordering.**

NOTICE: A flexible connector must be used between the inlet pipe and the inlet swivel joint.

*** X, Y indicate mounting holes. See page 5.

† Some applications require a clutch/reduction unit.



Power rewind shown

Series 7000 | Dual Hose

• Hydraulics • Dual Agents

To handle dual 3/4" or 1" I.D. hose.

- Two swivel joint inlets and two outlet risers to handle two equal lengths of hose.
- Choose gear-driven crank rewind or chain and sprocket drive powered by an electric, hydraulic or compressed air motor. An auxiliary rewind is standard.
- Crank rewind and power rewind reels, pinion brake is standard.
- Standard inlets: 90° ball bearing swivel joints, 1" female NPT threads.
- Standard outlets: 1" female NPT threads.
- Standard: inlet, outlet riser, and hub assembly are steel. Options: swivel joint also available in aluminum or stainless steel. Riser and hub assembly also available in stainless steel.
- Standard pressures to 2000 psi (138 bar), available up to 5000 psi (345 bar) – must specify.
- Temperatures from -40° F to +400° F (-40° C to +204° C).
- Consult factory for optional chain guard.



Standard configuration shown

PARTS DRAWING – ISO 72

| Model Number For power rewind see Note 5 | Hose Capacity of Reel feet m | | | Approx. Weight Crank Rewind lb. kg see Note 4 | | Reel Dimensions*** in. mm | | | | | | | | | |
|---|---------------------------------|--------------|--------------|--|---------------------|------------------------------|-------------|-------------|--------------|--------------|--------------|--------------|--------------|-------------|--------------|
| | I.D. in. mm | 3/4 19 | 1 25 | NET | Freight SHIP Wt. | A | B | D | E | F CRANK | F POWER | G | H | X | Y |
| | O.D. in. mm | 1-9/32 33 | 1-1/2 38 | | | | | | | | | | | | |
| 7024-19-21 | | 2/60 | 2/25 | 100 | 142 | 21 | 15.5 | 20.5 | 21.88 | 29.75 | 32.12 | 21.5 | 12.12 | 13 | 16.75 |
| | | 2/18 | 2/8 | 45 | 64 | 533 | 394 | 521 | 556 | 756 | 816 | 546 | 308 | 330 | 425 |
| 7026-23-24 | | 2/90 | 2/50 | 105 | 147 | 23 | 17.5 | 20.5 | 23 | 31.75 | 34.12 | 23.5 | 12.12 | 15 | 16.75 |
| | | 2/27 | 2/15 | 48 | 67 | 584 | 445 | 521 | 584 | 806 | 867 | 597 | 308 | 381 | 425 |
| 7032-25-26 | | 2/175 | 2/100 | 129 | 179 | 29.5 | 24 | 25.5 | 24.75 | 38.25 | 40.62 | 27.88 | 15.5 | 21.5 | 21.75 |
| | | 2/53 | 2/31 | 59 | 81 | 749 | 610 | 648 | 629 | 972 | 1032 | 708 | 394 | 546 | 552 |
| † 7032-30-31 | | 2/300 | 2/175 | 137 | 187 | 29.5 | 24 | 25.5 | 28.75 | 38.25 | 40.62 | 29.88 | 15.5 | 21.5 | 21.75 |
| | | 2/91 | 2/53 | 62 | 85 | 749 | 610 | 648 | 730 | 972 | 1032 | 759 | 394 | 546 | 552 |
| † 7024-33-34 | | 2/225 | 2/150 | 120 | 170 | 20.5 | 15.5 | 31.5 | 31.75 | 29.75 | 32.12 | 33.62 | 17.75 | 13 | 27.75 |
| | | 2/69 | 2/46 | 54 | 77 | 521 | 394 | 800 | 806 | 756 | 816 | 854 | 451 | 330 | 705 |
| † 7032-33-34 | | 2/350 | 2/225 | 137 | 187 | 29 | 24 | 31.5 | 31.75 | 38.25 | 40.62 | 33.62 | 17.75 | 21.5 | 27.75 |
| | | 2/107 | 2/69 | 62 | 85 | 737 | 610 | 800 | 806 | 972 | 1032 | 854 | 451 | 546 | 705 |

Notes:

- Specifications subject to change.
- Upon request, reels can be supplied with drum lengths other than shown and with disc sizes in other diameters.
- Dimensions shown for reels up to and including 30-31 disc size reflect pressed frames. All others are rollformed channel frames.
- Weights shown in chart are for crank rewind models. ADD these amounts for power rewind models.

| | Net lbs/kg | Ship lbs/kg |
|------------------|----------------|----------------|
| Electric | 40/18.1 | 40/18.1 |
| Hydraulic | 20/9.1 | 20/9.1 |
| Air | 20/9.1 | 20/9.1 |

- When ordering, prefix model number with:

- A** = Air Rewind – Supplied with control valve and 18" air hose.
- EP** = Electric Rewind (1/2 HP) – 12v and 24v DC rewind reels are supplied with switch and solenoid; 115v AC rewind reels are not supplied with switch but can be ordered separately.
- HD** = Hydraulic Rewind – Not supplied with control valve.
- MX** = Chain-Driven Crank.

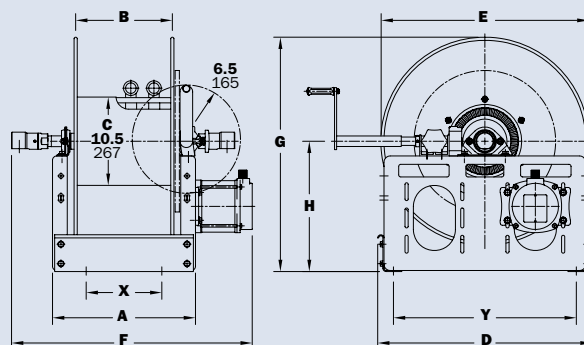
- Finish:** Refer to page 3.

- Be sure to check dimensions and weights prior to ordering.**

NOTICE: A flexible connector must be used between the inlet pipe and the inlet swivel joint.

*** X, Y indicate mounting holes. See page 5.

† Some applications require a clutch/reduction unit.



Power rewind shown

Series 7500

- Fuel Dispensing (Consult Factory) • Bulk Transfer
- Suction/Discharge (Consult Factory)

To handle single 1-1/4" or 1-1/2" I.D. hose.

- Choose gear-driven crank rewind or chain and sprocket drive powered by an electric, hydraulic or compressed air motor.
- Crank rewind reels supplied with pinion brake and power rewind reels with a strap brake.
- Standard inlet: 90° ball bearing swivel joint, 1-1/2" female NPT threads, and 2" Victaulic® groove.
- Standard outlet: flanged riser, 1-1/2" female NPT threads.
- Standard: inlet, outlet riser, and hub assembly are steel. Options: also available in aluminum or stainless steel.
- Standard pressures to 600 psi (41 bar), consult factory for other pressure ratings – must specify.
- Temperatures from -20° F to +400° F (-29° C to +204° C).
- Rollers and roller mounting brackets are accessory items. Specify roller position.
- Consult factory for optional chain guard.



Standard configuration shown



Optional Auxiliary Rewind

Ring and pinion shaft rewind unit with removable crank handle.

PARTS DRAWING – ISO 18

| Model Number For power rewind see Note 5 | Hose Capacity of Reel feet m | | | Approx. Weight Crank Rewind lb. kg see Note 4 | | Reel Dimensions*** in. mm | | | | | | | | | |
|---|---------------------------------|---------------|--------------|--|-------------|------------------------------|-------------|--------------|--------------|--------------|--------------|--------------|-------------|--------------|-------|
| | I.D. in. mm | 1-1/4 32 | 1-1/2 38 | NET | SHIP | A | B | D | E | F CRANK | F POWER | G | H | X | Y |
| | O.D. in. mm | 1-13/16 46 | 2-1/16 52 | | | 25.5 | 20 | 20.5 | 18.75 | 32 | 33 | 21.5 | 12.12 | 17.5 | 16.75 |
| 7528-19-21 | 70 | 50 | 104 | 146 | 25.5 | 20 | 20.5 | 18.75 | 32 | 33 | 21.5 | 12.12 | 17.5 | 16.75 | |
| | 21 | 15 | 47 | 66 | 648 | 508 | 521 | 476 | 813 | 838 | 546 | 308 | 445 | 425 | |
| 7538-23-24 | 175 | 100 | 130 | 172 | 35 | 29.5 | 20.5 | 22.75 | 41.5 | 42.5 | 23.5 | 12.12 | 27 | 16.75 | |
| | 53 | 30 | 59 | 78 | 889 | 749 | 521 | 578 | 1054 | 1080 | 597 | 308 | 686 | 425 | |
| 7520-25-26 | 75 | 50 | 106 | 148 | 17 | 11.5 | 25.5 | 24.75 | 23.5 | 24.5 | 27.88 | 15.5 | 9 | 21.75 | |
| | 23 | 15 | 48 | 67 | 432 | 292 | 648 | 629 | 597 | 622 | 708 | 394 | 229 | 552 | |
| 7528-25-26 | 125 | 100 | 123 | 165 | 25.5 | 20 | 25.5 | 24.75 | 32 | 33 | 27.88 | 15.5 | 17.5 | 21.75 | |
| | 38 | 30 | 56 | 75 | 648 | 508 | 648 | 629 | 813 | 838 | 708 | 394 | 445 | 552 | |
| 7522-30-31 | 125 | 100 | 118 | 168 | 19 | 13.5 | 25.5 | 28.75 | 25.5 | 26.5 | 29.88 | 15.5 | 11 | 21.75 | |
| | 38 | 30 | 54 | 76 | 483 | 343 | 648 | 730 | 648 | 673 | 759 | 394 | 279 | 552 | |
| †7528-30-31 | 200 | 150 | 131 | 181 | 25.5 | 20 | 25.5 | 28.75 | 32 | 33 | 29.88 | 15.5 | 17.5 | 21.75 | |
| | 61 | 46 | 59 | 82 | 648 | 508 | 648 | 730 | 813 | 838 | 759 | 394 | 445 | 552 | |
| †7526-33-34 | 200 | 175 | 133 | 183 | 22.5 | 17.5 | 31.5 | 31.75 | 29.25 | 30.25 | 33.62 | 17.75 | 15 | 27.75 | |
| | 61 | 53 | 60 | 83 | 572 | 445 | 800 | 806 | 743 | 768 | 854 | 451 | 381 | 705 | |

Notes:

- Specifications subject to change.
- Upon request, reels can be supplied with drum lengths other than shown and with disc sizes in other diameters.
- Dimensions shown for reels up to and including 30-31 disc size reflect pressed frames. All others are rollformed channel frames.
- Weights shown in chart are for crank rewind models. ADD these amounts for power rewind models.

| | Net lbs/kg | Ship lbs/kg |
|------------------|----------------|----------------|
| Electric | 40/18.1 | 40/18.1 |
| Hydraulic | 20/9.1 | 20/9.1 |
| Air | 20/9.1 | 20/9.1 |

5. When ordering, prefix model number with:

- A** = Air Rewind – Supplied with control valve and 18" air hose.
- EP** = Electric Rewind (1/2 HP) – 12v and 24v DC rewind reels are supplied with switch and solenoid; 115v AC rewind reels are not supplied with switch but can be ordered separately.
- HD** = Hydraulic Rewind – Not supplied with control valve.

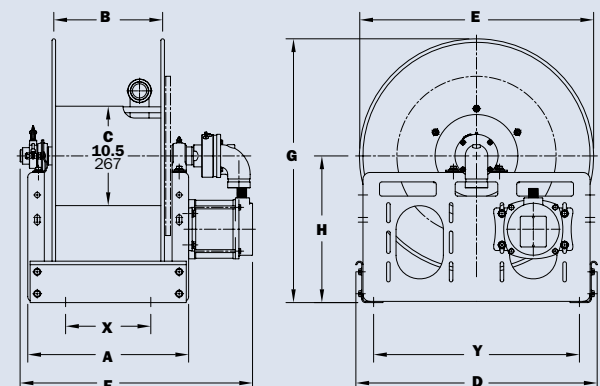
6. **Finish:** Refer to page 3.

7. **Be sure to check dimensions and weights prior to ordering.**

NOTICE: A flexible connector must be used between the inlet pipe and the inlet swivel joint.

*** X, Y indicate mounting holes. See page 5.

†Some applications require a clutch/reduction unit.



Power rewind shown

Series 8000

- Bulk Transfer • Fueling Applications (Consult Factory)
- Chemical Transfer • General Dispensing • Suction/Discharge (Consult Factory)

To handle single 1-1/2" or 2" I.D. hose.

- Heavy-duty reel designed for longer lengths and larger diameters of hose through 2" I.D.
- Choose gear-driven crank rewind or chain and sprocket drive powered by an electric, hydraulic or compressed air motor.
- Crank rewind reels supplied with a pinion brake; power rewind reels with a strap brake.
- Standard inlet: 90° ball bearing swivel joint, 2" female NPT threads.
- Standard outlet: flanged riser, 2" female NPT threads.
- Standard: inlet, outlet riser, and hub assembly are steel. Options: also available in aluminum or stainless steel.
- Pressures to 600 psi (41 bar).
- Temperatures from -25°F to +250°F (-32°C to +121°C), optional temperatures to +400°F (+204°C) – must specify.
- Consult factory for other pressures and temperatures.
- Rollers and roller mounting brackets are accessory items. Specify roller position.
- Consult factory for optional chain guard.



Standard configuration shown



Chain Clutch-Reduction Units

For use on power reels with disc diameter 39" or larger and/or when increased torque and slower rewind speeds are required. Factory installed when specified or available as an accessory item.

PARTS DRAWING – ISO 35

| Model Number <small>For power rewind see Note 4</small> | Hose Capacity of Reel feet m | | | Approx. Weight Crank Rewind lb. kg <small>see Note 3</small> | | Reel Dimensions*** in. mm | | | | | | | | | |
|--|---------------------------------|--------------|--------------|---|--------------|------------------------------|-------------|--------------|---------------|---------------|---------------|--------------|--------------|--------------|--------------|
| | I.D. in. mm | 1-1/2 38 | 2 51 | NET | SHIP | A | B | D | E | F CRANK | F POWER | G | H | X | Y |
| | O.D. in. mm | 2-1/16 52 | 2-9/16 65 | | | 26.25 667 | 20 508 | 27 686 | 25.75 654 | 33.75 857 | 34.75 883 | 26.62 676 | 13.75 349 | 18.75 476 | 18.75 476 |
| 8234-26-27 | 80 24 | 60 18 | 120 54 | 170 77 | 26.25 667 | 20 508 | 27 686 | 25.75 654 | 33.75 857 | 34.75 883 | 26.62 676 | 13.75 349 | 18.75 476 | 18.75 476 | 23.25 591 |
| 8238-26-27 | 100 30 | 75 23 | 145 66 | 195 88 | 30.25 768 | 24 610 | 27 686 | 25.75 654 | 37.75 959 | 38.75 984 | 26.62 676 | 13.75 349 | 22.75 578 | 23.25 591 | |
| 8246-26-27 | 145 44 | 100 30 | 196 89 | 245 112 | 38.25 972 | 32 813 | 27 686 | 25.75 654 | 45.75 1162 | 46.75 1188 | 26.62 676 | 13.75 349 | 30.75 781 | 23.25 591 | |
| 8226-33-34 | 85 26 | 60 18 | 80 36 | 150 68 | 17.75 451 | 11.5 292 | 31.5 800 | 31.75 806 | 25.25 641 | 26.25 667 | 33.38 848 | 17.75 445 | 10.25 260 | 27.75 705 | |
| 8234-33-34 | 150 46 | 115 35 | 133 60 | 230 105 | 26.25 667 | 20 508 | 31.5 800 | 31.75 806 | 33.75 857 | 34.75 883 | 33.38 848 | 17.75 445 | 18.75 476 | 27.75 705 | |
| 8238-39-40 | 340 104 | 225 69 | 218 99 | 420 191 | 30.25 768 | 24 610 | 40 1016 | 39 991 | 37.75 959 | 38.75 984 | 39.88 1013 | 20.38 518 | 22.75 578 | 37 940 | |

Notes:

- Specifications subject to change.
- Upon request, reels can be supplied with drum lengths other than shown and with disc sizes in other diameters.
- Weights shown in chart are for crank rewind models. ADD these amounts for power rewind models.

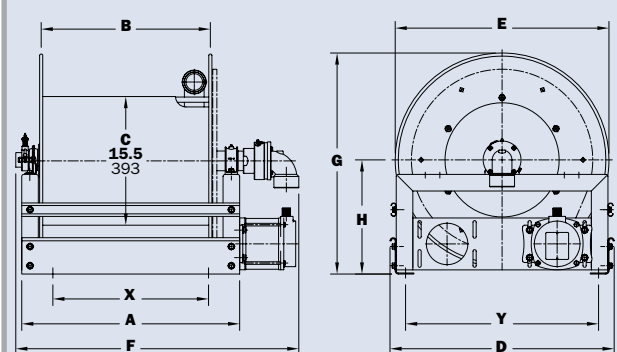
| | Net lbs/kg | Ship lbs/kg |
|------------------|------------|-------------|
| Electric | 40/18.1 | 40/18.1 |
| Hydraulic | 20/9.1 | 20/9.1 |
| Air | 20/9.1 | 20/9.1 |

- When ordering power rewind models, prefix model number with:
A = Air Rewind – Supplied with control valve and 25" air hose.
EP = Electric Rewind (1/2 HP) – 12v and 24v DC rewind reels are supplied with switch and solenoid; 115v AC rewind reels are not supplied with switch but can be ordered separately.
HD = Hydraulic Rewind – Not supplied with control valve.

- Finish:** Refer to page 3.
- Be sure to check dimensions and weights prior to ordering.**

NOTICE: A flexible connector must be used between the inlet pipe and the inlet swivel joint.

*** X, Y indicate mounting holes. See page 5.



Power rewind shown

Series 9000

- Fueling Applications (Consult Factory) • Bulk Transfer
- Suction/Discharge (Consult Factory) • High Volume Application • Chemical Transfer

To handle 2-1/2" or 3" I.D. hose.

- Heavy-duty reel designed for longer lengths and larger diameters of hose through 3" I.D.
- Choose gear-driven crank rewind or chain and sprocket drive powered by an electric, hydraulic or compressed air motor.
- Crank rewind reels supplied with a pinion brake; power rewind reels with a strap brake.
- Standard inlet: 90° ball bearing swivel joint, 3" female NPT threads.
- Standard outlet: flanged riser, 3" female NPT threads.
- Standard: outlet riser, and hub assembly are aluminum with ductile inlet.
Options: swivel joint also available in aluminum or stainless steel. Riser and hub assembly also available in stainless steel.
- Pressures to 300 psi (21 bar).
- Temperatures from -50°F to +180°F (-45°C to +82° C).
- Consult factory for other pressures and temperatures.
- Rollers and roller mounting brackets are accessory items. Specify roller position.
- Consult factory for optional chain guard.



Electric rewind Standard configuration shown



Chain Clutch-Reduction Units

For use on power reels with disc diameter 39" or larger and/or when increased torque and slower rewind speeds are required. Factory installed when specified or available as an accessory item.

PARTS DRAWING – ISO 57

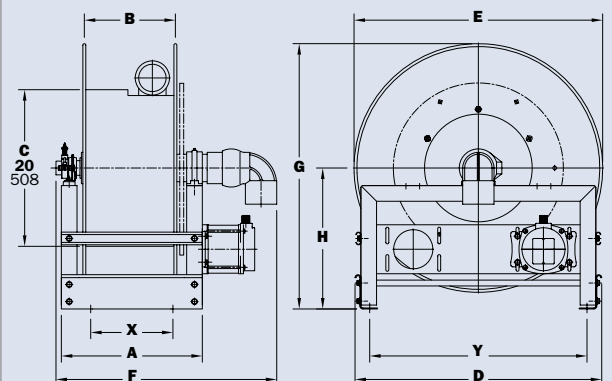
| Model Number <small>For power rewind see Note 4</small> | Hose Capacity of Reel feet m | | | Approx. Weight Crank Rewind lb. kg <small>see Note 3</small> | | Reel Dimensions*** in. mm | | | | | | | | | | | | | | | | | | |
|--|---------------------------------|--------------|-------------|---|--------------|------------------------------|-------------|--------------|--------------|--------------|--------------|--------------|--------------|--------------|-----|-----|------|------|------|------|------|-----|-----|------|
| | I.D. in. mm | 2-1/2 64 | 3 76 | NET | SHIP | A | B | D | E | F CRANK | F POWER | G | H | X | Y | | | | | | | | | |
| | O.D. in. mm | 3-3/16 81 | 3-3/4 95 | | | | | | | | | | | | | | | | | | | | | |
| 9332-33-34 | 30 | 25 | 147 | 217 | 23.75 | 17.5 | 31.5 | 31.75 | 33.75 | 33.25 | 33.88 | 18 | 16.25 | 27.75 | 603 | 445 | 800 | 80 | 857 | 845 | 861 | 457 | 413 | 705 |
| 9338-33-34 | 45 | 35 | 187 | 257 | 30.25 | 24 | 31.5 | 31.75 | 40.25 | 39.75 | 33.88 | 18 | 22.75 | 27.75 | 768 | 610 | 800 | 807 | 1022 | 1010 | 861 | 457 | 578 | 705 |
| 9346-33-34 | 60 | 50 | 237 | 372 | 38.25 | 32 | 31.5 | 31.75 | 48.25 | 47.75 | 33.88 | 18 | 30.75 | 27.75 | 972 | 813 | 800 | 807 | 1226 | 1213 | 861 | 457 | 781 | 705 |
| 9338-39-40 | 90 | 80 | 239 | 480 | 30.25 | 24 | 40 | 39 | 40.25 | 39.75 | 40.38 | 20.88 | 22.75 | 37 | 768 | 610 | 1016 | 991 | 1022 | 1010 | 1026 | 530 | 578 | 940 |
| 9334-45-46 | 130 | 115 | 361 | 525 | 26.25 | 20 | 46 | 45 | 36.25 | 35.75 | 46.38 | 23.88 | 18.75 | 43 | 667 | 508 | 1168 | 1143 | 921 | 908 | 1178 | 607 | 476 | 1092 |

Notes:

- Specifications subject to change.
- Upon request, reels can be supplied with drum lengths other than shown and with disc sizes in other diameters.
- Weights shown in chart are for crank rewind models. ADD these amounts for power rewind models.

| | Net lbs/kg | Ship lbs/kg |
|------------------|----------------|----------------|
| Electric | 40/18.1 | 40/18.1 |
| Hydraulic | 20/9.1 | 20/9.1 |
| Air | 20/9.1 | 20/9.1 |

- When ordering power rewind models, prefix model number with:
A = Air Rewind – Supplied with control valve and 25" air hose.
EP = Electric Rewind (1/2 HP) – 12v and 24v DC rewind reels are supplied with switch and solenoid; 115v AC rewind reels are not supplied with switch but can be ordered separately.
HD = Hydraulic Rewind – Not supplied with control valve.
- Finish:** Refer to page 3.
- Be sure to check dimensions and weights prior to ordering.**
NOTICE: A flexible connector must be used between the inlet pipe and the inlet swivel joint.
 *** X, Y indicate mounting holes. See page 5.



Power rewind shown

Series **1100/AT1200**

- Grounds Maintenance • Restaurants/Hotels
- Washdown Operations • Home Use

To handle 3/8" through 1" I.D. hose.

- Continuous flow reels with swivel joint inlet, fluid hub, outlet riser.
- Direct crank rewind and cam-lock drag brake.
- One-piece foot and removable steel handlebar.
- **GH** prefix to model number (e.g., GH1100, GHAT1200) includes garden hose thread on outlet, 5' lead-in hose, hose end clips.

Model 1100

- Standard inlet: 90° ball bearing swivel joint, 1/2" female NPT threads.
- Standard outlet: 1/2" female NPT threads.
- Pressures to 3000 psi (207 bar).
- Temperatures from +32° F to +400° F (0° C to +204° C).
- Rubber tires standard.

Model AT1200

- Standard inlet: 90° balance pressure swivel joint, 1" female NPT threads.
- Standard outlet: 1" female NPT threads.
- Standard pressures to 2000 psi (138 bar), available up to 4000 psi (276 bar) – must specify.
- Temperatures from -65° F to +250° F (-54° C to +121° C).
- Pneumatic tires standard.



GH1100 configuration shown in optional green powder coat finish



GHAT1200 configuration shown

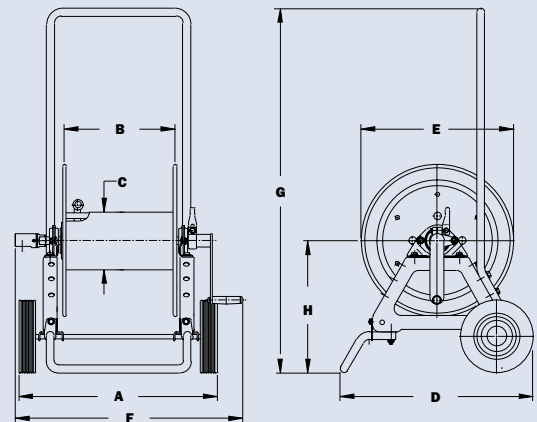
PARTS DRAWING – 1100–ISO 48; AT1200–ISO 87

| Model Number | Hose Capacity of Reel feet m | | | | | | Approx. Weight lb. kg | | Reel Dimensions in. mm | | | | | | | |
|---------------|---------------------------------|------------|------------|------------|------------|----|--------------------------|-------------|---------------------------|-------------|----------|--------------|--------------|--------------|-----------|--------------|
| | I.D. in. mm | 3/8 | 1/2 | 5/8 | 3/4 | 1 | NET | SHIP | A | B | C | D | E | F | G | H |
| | mm | 10 | 13 | 16 | 19 | 25 | | | | | | | | | | |
| 1100 | 275 | 175 | 125 | – | – | – | 47 | 100* | 21.5 | 12 | 6 | 21 | 16.5 | 25.38 | 39 | 13.81 |
| | 84 | 53 | 38 | – | – | – | 21 | 46 | 54.6 | 305 | 152 | 533 | 419 | 645 | 991 | 351 |
| AT1200 | – | 350 | 250 | 150 | 100 | – | 86 | 147* | 24.88 | 11.5 | 8 | 23.31 | 22.75 | 27.25 | 40 | 17.25 |
| | – | 107 | 76 | 46 | 30 | – | 39 | 67 | 632 | 292 | 203 | 592 | 578 | 692 | 1016 | 438 |

Notes:

1. Specifications subject to change.
2. Some assembly required.
3. **Finish:** Refer to page 3.
4. **Be sure to check dimensions and weights prior to ordering.**

*Dimensional weight applies when shipped as a parcel package (via FedEx or UPS Ground).



GH1100 shown

Series **C1150/ATC1250**

- Industrial Maintenance • Construction
- Agriculture • Grounds Maintenance

For storage of hose, cable, rope or wire.

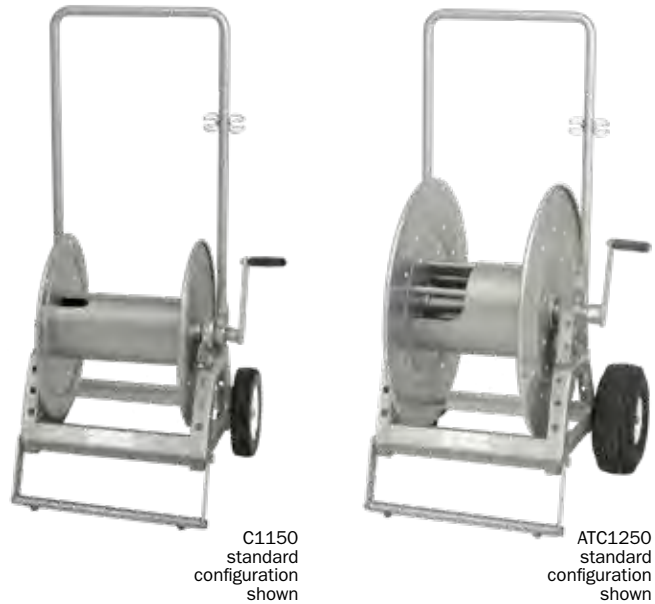
- Direct crank rewind and cam-lock drag brake.
- One-piece foot and removable steel handlebar.

Model C1150

- A 1-1/8" x 2-3/8" (28 mm x 60 mm) opening in the drum to initiate winding.
- Rubber tires standard.

Model ATC1250

- A larger version of the C1150 with a 4-1/2" x 9" (114 mm x 229 mm) drum opening.
- Pneumatic tires standard.



C1150 standard configuration shown

ATC1250 standard configuration shown



Optional Folding Handle

For compact storage

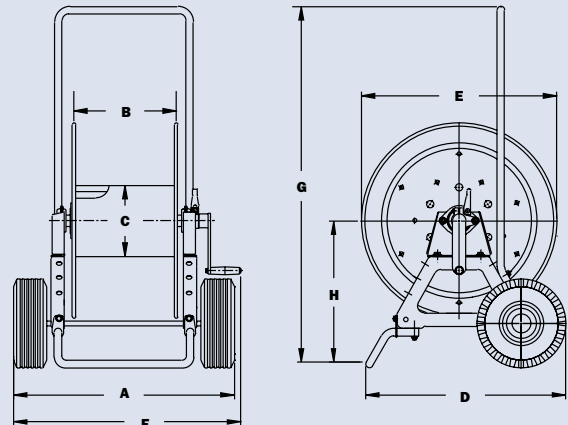
PARTS DRAWING – C1150–ISO 48; ATC1250–ISO 87

| Model Number | Cable Capacity of Reel feet m | | | | Approx. Weight lb. kg | | Reel Dimensions in. mm | | | | | | | | |
|----------------|----------------------------------|----------------------------|------|------|--------------------------|------|---------------------------|------|-----|-------|-------|-------|------|-------|---|
| | O.D. in. mm | Gauge/Number of Conductors | | | | NET | SHIP | A | B | C | D | E | F | G | H |
| | | 16/3 | 14/3 | 12/3 | 10/3 | | | | | | | | | | |
| C1150 | 1100 | 500 | 400 | 300 | 44 | 100* | 21.5 | 12 | 6 | 21 | 16.5 | 25 | 39 | 13.81 | |
| | 335 | 152 | 122 | 91 | 20 | 46 | 546 | 305 | 152 | 533 | 419 | 635 | 991 | 351 | |
| ATC1250 | 1800 | 950 | 750 | 550 | 84 | 147* | 24.88 | 11.5 | 8 | 23.31 | 22.75 | 27.25 | 40 | 17.25 | |
| | 549 | 290 | 229 | 168 | 38 | 67 | 32 | 292 | 203 | 592 | 578 | 692 | 1016 | 438 | |

Notes:

1. Specifications subject to change.
2. Some assembly required.
3. When ordering specify model number, O.D., length, and weight of cable, hose, etc.
4. **Finish:** Refer to page 3.
5. **Be sure to check dimensions and weights prior to ordering.**

*Dimensional weight applies when shipped as a parcel package (via FedEx or UPS Ground).



ATC1250 Shown

Series C1500

• Hose • Rope • Cable • Wire

To handle single 1/4" through 1" O.D.

- Reels are designed for storage of long lengths of hose, cable, rope, wire or other materials.
- A 1-1/8" x 2-3/8" (28 mm x 60 mm) opening in the drum to initiate winding.
- Manual rewind reels include: cam-lock drag brake, spring actuated pin lock and direct crank rewind.
- Power rewind reels include: chain and sprocket drive powered by electric, hydraulic or air motor.
- Optional divider discs can be placed at almost any point. Be sure to specify spacing of discs on your order.
- Rollers and roller mounting brackets are accessory items. Specify roller position.



Standard configuration with optional finish shown



Optional External Mounting Brackets

Part No. 9906.0027.
Add 2-1/2" to the X dimensions shown in the chart.

PARTS DRAWING – ISO 218

| Model Number <small>For power rewind see Note 5</small> | Hose Capacity of Reel feet m | | | | | Approx. Weight Crank Rewind lb. kg <small>see Note 4</small> | | | Reel Dimensions*** in. mm | | | | | |
|--|---------------------------------|--------------------|-------------------|------------------|-----------------|---|------------------------------|------------------------|------------------------------|--------------------|------------------|---------------------|--------------------|--------------------|
| | O.D. in. mm | 1/4 6 | 1/2 13 | 3/4 19 | 1 25 | NET | UPS/ FedEx SHIP Wt. | Freight SHIP Wt. | A | B | E CRANK | E POWER | F CRANK | F POWER |
| C1514-17-18 | 1300 396 | 325 99 | 150 46 | 75 23 | 23 10 | 65* 30 | 58 26 | 11 279 | 6 152 | 16.5 419 | 19 483 | 18.25 464 | 16.5 491 | 9.5 241 |
| C1520-17-18 | - | 650 198 | 300 91 | 150 46 | 25 11 | 80* 36 | 60 27 | 17 432 | 12 305 | 16.5 419 | 19 483 | 24.25 616 | 22.5 572 | 15.5 394 |
| C1526-17-18 | - | 900 274 | 450 137 | 225 69 | 27 12 | 98* 45 | 62 28 | 23 584 | 18 457 | 16.5 419 | 19 483 | 30.25 768 | 28.5 724 | 21.5 546 |
| C1530-17-18 | - | 1000 305 | 550 168 | 275 84 | 29 13 | 110* 50 | 64 29 | 27 686 | 22 559 | 16.5 419 | 19 483 | 34.25 870 | 32.5 826 | 25.5 648 |

Notes:

- Specifications subject to change.
- Upon request, reels can be supplied with drum lengths other than shown and with disc sizes in other diameters.
- Dimensions reflect pressed frames.
- Weights shown in chart are for crank rewind models. ADD these amounts for power rewind models (does not apply to FedEx or UPS):

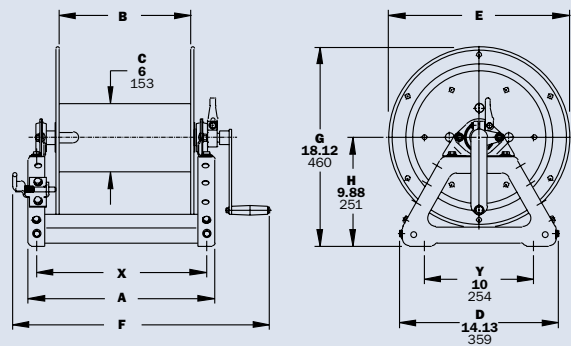
| | Net lbs/kg | Ship lbs/kg |
|------------------|---------------|---------------|
| Electric | 18/8.2 | 18/8.2 |
| Hydraulic | 15/6.8 | 15/6.8 |
| Air | 15/6.8 | 15/6.8 |

- When ordering power rewind models, prefix model number with:
 - A** = Air Rewind – Supplied with control valve and 18" air hose.
 - E** = Electric Rewind – 12v and 24v DC rewind reels are supplied with switch and solenoid; 115v AC rewind reels are not supplied with switch but can be ordered separately.
 - HD** = Hydraulic Rewind – Not supplied with control valve.

- Finish:** Refer to page 3.
- Be sure to check dimensions and weights prior to ordering.**

*Dimensional weight applies when shipped as a parcel package (via FedEx or UPS Ground).

*** X, Y indicate mounting holes. See page 5.



Crank rewind shown

Series C3200

• Hose • Rope • Cable • Wire

To handle single 1/2" through 1-1/2" O.D.

- A 4-1/2" x 9" (114mm x 229mm) opening in the drum to initiate winding.
- Designed for storage of long lengths of hose, cable, rope, wire or other materials.
- Choose disc rewind or removable direct crank rewind.
- Supplied with spring actuated pin lock.
- Optional divider discs can be placed at almost any point. Be sure to specify spacing of discs on your order.
- Rollers and roller mounting brackets are accessory items. Specify roller position.
- For power rewind, see Series C in cable reels catalog H0507-C.



Standard configuration with crank handle shown



Optional Aluminum Hand Cart

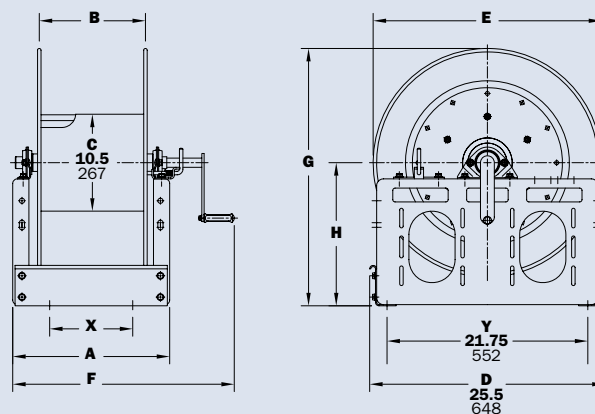
4300-AL mounting available.

PARTS DRAWING – ISO 117

| Model Number | Hose Capacity of Reel feet m | | | | | | Approx. Weight Crank Rewind lb. kg | | Reel Dimensions*** in. mm | | | | | |
|--------------------|---------------------------------|-------------|------------|------------|-------------|-------------|--|-------------|------------------------------|--------------|--------------|--------------|-------------|-------------|
| | O.D. in. mm | 1/2 13 | 3/4 19 | 1 25 | 1-1/4 32 | 1-1/2 38 | NET | SHIP | A | B | E CRANK | F CRANK | G | H |
| C3218-25-26 | 1000 | 450 | 225 | 125 | 90 | 85 | 127 | 15 | 9.5 | 24.75 | 22.75 | 27.88 | 15.5 | 7 |
| | 305 | 137 | 69 | 38 | 27 | 39 | 58 | 381 | 241 | 629 | 578 | 708 | 394 | 178 |
| C3228-25-26 | – | 1000 | 500 | 325 | 200 | 109 | 151 | 25.5 | 20 | 24.75 | 33.25 | 27.88 | 15.5 | 17.5 |
| | – | 305 | 152 | 99 | 61 | 49 | 68 | 648 | 508 | 629 | 845 | 708 | 394 | 445 |
| C3234-25-26 | – | 1300 | 650 | 400 | 275 | 122 | 164 | 31.5 | 26 | 24.75 | 39.25 | 27.88 | 15.5 | 23.5 |
| | – | 396 | 198 | 122 | 84 | 55 | 74 | 800 | 660 | 629 | 997 | 708 | 394 | 597 |

Notes:

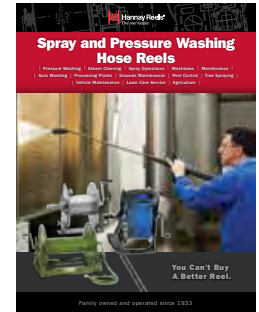
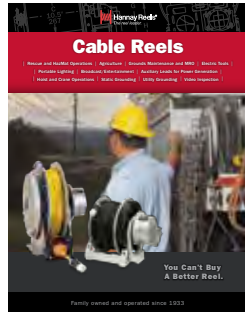
1. Specifications subject to change.
 2. Upon request, reels can be supplied with drum lengths other than shown and with disc sizes in other diameters.
 3. Dimensions reflect pressed frames.
 4. Series C3200 requires 3-1/2" clearance to remove crank handle.
 5. Subtract 5" from "F" dimension for disc rewind on C3200 Series.
 6. **Finish:** Refer to page 3.
 7. **Be sure to check dimensions and weights prior to ordering.**
- *** X, Y indicate mounting holes. See page 5.



You Can't Buy A Better Reel.

Find reels for every need.

Learn more about all of our reels, including specs, drawings, and even how to select the right reels and accessories for your industry.



Welding Reels

Includes specs and information on:

- Mobile and fixed installations
- Arc welding
- Gas welding
- Cutting operations

Cable Reels

Find out more about:

- Manual and power rewind reels
- Storage reels
- Reels for live electric cable
- Portable reels
- Static and truck grounding reels

Stainless Steel Reels

Comprehensive information on:

- Spring rewind reels
- Manual rewind reels
- Compact manual rewind reels
- Fuel reels

Ordering & Accessory Guide

Learn more about:

- Selecting the right reel
- Reel components
- Available accessories
- How to spec and order reels and accessories
- Ordering options
- Hannay Reels policies

Spray and Pressure Washing Hose Reels

Details and specs for:

- Pressure wash reels
- Manual, spring, and remote controlled power rewind reels
- Portable hose reels
- Small frame model reels

View all our reel catalogs online at hannay.com



Family owned and operated since 1933, Hannay Reels is the world leader in both OEM and aftermarket applications. Hannay offers thousands of standard hose reel and cable reel models, as well as unmatched custom capabilities. We can easily and affordably customize a reel to meet your exact specifications – built to last, delivered fast. Additional catalogs are available through your local Hannay Reels dealer or online at hannay.com.



553 State Route 143 | Westerlo, New York 12193
Email: reels@hannay.com | hannay.com



All Hannay reels are constructed of quality heavy gauge steel (optional aluminum or stainless steel also available on most models).

Phone: **518-797-3791**
Toll Free: **1-877-467-3357**

Domestic FAX: **1-800-733-5464**
International FAX: **518-797-3259**

Form H-0308-H REV 8-21



Reel Product News

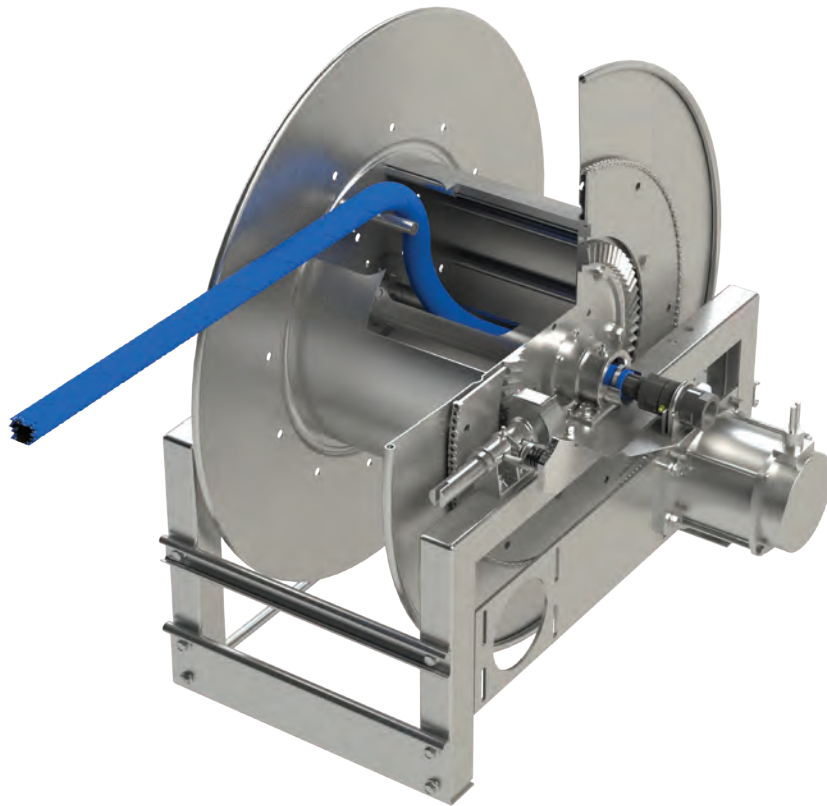
Hannay Reels for Corrosive Chemical Applications

Hannay Reels offers the most durable, dependable hose reels for the safe handling of a variety of corrosive and sensitive chemicals.

Our specialty designed reels are used in chemical distribution/delivery for a variety of applications including: commercial/community pools, water parks, toxic waste recycling, bulk handling of acid, bleach, chlorine, pesticides, fertilizers and more.

Specifications:

- Handles 3/8" through 1-1/2" ID hose, ranging from 50 ft up to 200 ft in length. For larger ID hose please consult factory.
- Standard inlet: CPVC swivel joint resists corrosion and provides longer life.
- Slotted hub for hose passage, with drum cut out on opposite side from the swivel joint. Fluid will not come in contact with metal, as the hose acts as the sole fluid path.
- Manual or power rewind with optional auxiliary crank rewind on specific models.
- Special swivel mounting bracket with clamp to hold the CPVC swivel in place.



Top: Detailed cut-out of slotted hub for hose passage

Right: Close-up of CPVC swivel, clamp and mounting bracket.



ORDERING INFORMATION:

Contact Hannay Reels Inside Sales Department at: 877-467-3357 or email reels@hannay.com for more information. Be sure to provide detailed specifications on hose type, ID/OD and application information when ordering.

Reel Product News

Hannay Offers Industrial Vacuum Reel Options

Four new series of industrial strength reels are now available. The VAC4000, VAC900, VACN900 & VAC2900 are designed specifically for shop vacuum applications, car detailing operations and general industrial vacuum needs.

These reels handle up to 50' of 1-1/2" or 2" ID vacuum hose, are constructed of heavy-duty steel and available in manual or spring return to automatically rewind hose.



VAC4000 Standard Features:

- To handle 1-1/2" ID industrial vacuum hose.
- Includes permanently attached crank handle and cam-lock drag brake.
- Rollformed channel frame for heavy duty applications.
- Internal hub connection to fit hose cuff.

VAC4000 Series

Standard configuration shown (hose not included).

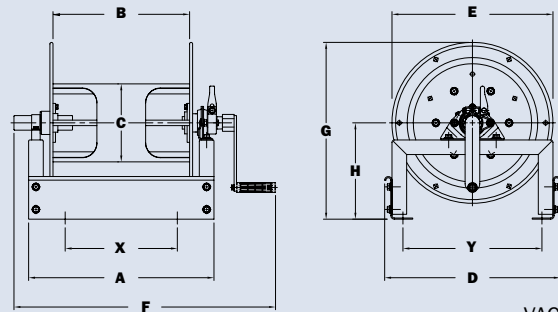
| Model Number | Hose Capacity of Reel | | Approx. Weight | | | Reel Dimensions*** | | | | | | | | | |
|-----------------|-----------------------|-------------|----------------|---------------------------|---------------------|--------------------|-----|-----|-----|-------|-------|-------|------|-------|-------|
| | feet m | | NET | UPS/ FedEx SHIP Wt. | Freight SHIP Wt. | in. mm | | | | | | | | | |
| | I.D. in. mm | 1-1/2 38 | | | | A | B | C | D | E | F | G | H | X | Y |
| VAC4020-17-18-8 | 25 | 8 | 38 | 82 | 73 | 17 | 12 | 8 | 18 | 16.50 | 24.88 | 18.13 | 9.88 | 9.50 | 14.25 |
| | | 1.84 | 17 | 37 | 33 | 431 | 305 | 203 | 457 | 419 | 632 | 460 | 251 | 241 | 362 |
| VAC4024-17-18-8 | 35 | 11 | 42 | 94 | 77 | 21 | 16 | 8 | 18 | 16.50 | 28.88 | 18.13 | 9.88 | 13.50 | 14.25 |
| | | 1.84 | 19 | 43 | 35 | 533 | 406 | 203 | 457 | 419 | 734 | 460 | 251 | 343 | 362 |
| VAC4028-17-18-8 | 50 | 15 | 46 | 98 | 81 | 25 | 20 | 8 | 18 | 16.50 | 32.88 | 18.13 | 9.88 | 17.50 | 14.25 |
| | | 1.84 | 21 | 45 | 37 | 635 | 508 | 203 | 457 | 419 | 835 | 460 | 251 | 445 | 362 |

Notes:

1. Specifications subject to change.
2. Upon request, reels can be supplied with drum lengths other than shown.
3. Dimension "F" is the overall length of standard model reels.
4. **Be sure to check dimensions and weights prior to ordering.**

* Dimensional weight applies when shipped as a parcel package (via FedEx or UPS Ground).

*** X, Y indicate mounting holes. (Also applies for external mounting brackets.)



VAC4000

See reverse for additional reel models. ▶

Reel Product News

VACN900 Standard Features:

- To handle 1-1/2" ID industrial vacuum hose.
- N-series has a narrow frame and compact mounting base, allows for different mounting options: floor, ceiling or wall.
- Non-sparking ratchet assembly locks hose at different payout lengths and 4-way roller assembly to guide hose.



◀ **VACN900 Series**
standard configuration shown with "SR" roller position (hose not included).

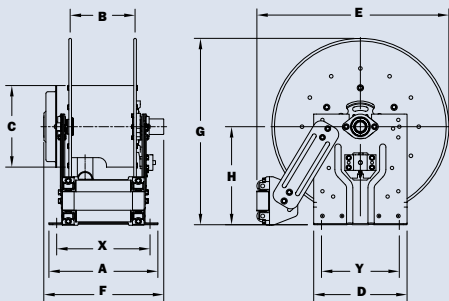
VAC900/VAC2900 Standard Features:

- VAC900: to handle 1-1/2" ID vacuum hose.
VAC2900: to handle 2" ID vacuum hose.
- Roll-formed channel frame for heavy-duty applications, allows different mounting options: floor, ceiling or wall.
- Non-sparking ratchet assembly locks hose at different payout lengths and 4-way roller assembly to guide hose.

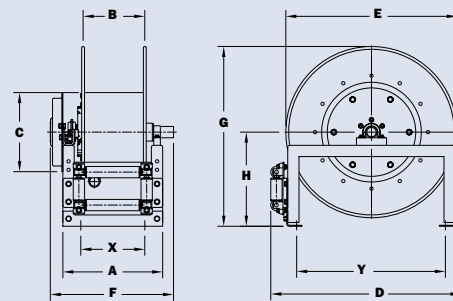


VAC900 Series ▶
optional "TR" roller position shown (hose not included).

| Model Number | Hose Capacity of Reel | | | Approx. Weight | | Standard Roller Assy. | Reel Dimensions*** | | | | | | | | |
|---------------------|-----------------------|-------------|---------|----------------|-------|-----------------------|--------------------|------|-------|-------|-------|-------|------|-------|---|
| | feet m | | | lb. kg | | | in. mm | | | | | | | | |
| | I.D. in. mm | 1-1/2 38 | 2 51 | NET | SHIP | | A | B | D | E | F | G | H | X | Y |
| VACN918-23-24-10.5L | 25 | - | 60 | 95 | N306 | 12 | 6 | 12 | 24 | 13.25 | 24 | 12.63 | 10 | 10 | |
| | 8 | - | 27 | 43 | | 305 | 152 | 305 | 610 | 337 | 610 | 320 | 254 | 254 | |
| VACN920-23-24-10.5L | 35 | - | 62 | 97 | N308 | 14 | 8 | 12 | 24 | 15.25 | 24 | 12.63 | 12 | 10 | |
| | 11 | - | 28 | 44 | | 356 | 203 | 305 | 610 | 387 | 610 | 320 | 305 | 254 | |
| VAC920-28-29-10.5J | 50 | - | 76 | 111 | R308 | 13.25 | 8 | 28.5 | 26.75 | 16.5 | 28.25 | 14.88 | 8.5 | 23.25 | |
| | 15 | - | 34 | 50 | | 337 | 203 | 724 | 679 | 419 | 718 | 378 | 216 | 591 | |
| VAC2920-28-29-10.5J | - | 25 | 77 | 112 | R2308 | 13.25 | 8 | 28.5 | 26.75 | 16.75 | 28.25 | 14.88 | 8.5 | 23.25 | |
| | - | 8 | 35 | 51 | | 337 | 203 | 724 | 679 | 425 | 718 | 378 | 216 | 591 | |
| VAC2922-28-29-10.5J | - | 35 | 79 | 113 | R2310 | 15.25 | 10 | 28.5 | 26.75 | 18.75 | 28.25 | 14.88 | 10.5 | 23.25 | |
| | - | 11 | 36 | 51 | | 387 | 254 | 724 | 679 | 476 | 718 | 378 | 267 | 591 | |
| VAC2920-33-34-10.5J | - | 50 | 92 | 127 | R2308 | 13.25 | 8 | 33 | 31.75 | 16.75 | 33.63 | 17.75 | 8.5 | 27.75 | |
| | - | 15 | 42 | 58 | | 337 | 203 | 838 | 806 | 425 | 854 | 451 | 216 | 705 | |

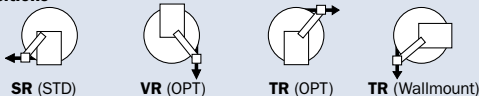


VACN900



VAC900/VAC2900

Available Roller Positions



Notes: A hose stop is necessary to keep spring from unwinding.

1. Specifications subject to change.
2. Reel models and capacities shown are for standard drag applications; for vertical lift applications, consult factory.
3. Be sure to check dimensions and weights prior to ordering.

*** X, Y indicate mounting holes.



Reel Product News

Hannay Special Heavy-Duty 1500 Series Reels

Hannay Reels 1500 series reel, used for pressure washing, steam cleaning, high and low pressure water supply, air and more, can be upgraded to handle heavy-duty jetting operations as well.

Upgrades include providing a stiffer spool to counter high-pressure hose expansion concerns, a reinforced frame for extra rigidity and a larger drum to accommodate hose with a higher bend radius.

Standard Features:

To handle single 3/8" through 5/8" I.D. hose.

- Lightweight, compact reels designed for long lengths of hose in manual or power rewind.
- Direct crank rewind is permanently attached.
- Manual reels include cam-lock drag brake and pin lock. Power reels include chain and sprocket drive powered by electric motor.
- Standard inlet: 90° full flow swivel joint, 1/2" FNPT threads. Standard outlet: 1/2" FNPT threads.
- Standard pressures up to 3000 psi (207 bar) and temperatures to +400°F (+204°C).

Upgrade Options:

- 3/16" thick discs are 2.5 times thicker than standard to better handle high pressure hose expansion.
- 8" diameter steel 14 gage drum to handle hose with higher bend radius.
- Reinforced frame base for superior strength and rigidity.
- Optional pressures of 5,000 psi or 10,000 psi available.



E1500 Series Reel
Shown with special heavy-duty options.

ORDERING INFORMATION:

Contact Hannay Reels Inside Sales Department at: 877-467-3357 or email reels@hannay.com for more information.